

Irrigation Details

Irrigation Details ~ INDEX

<u>Detail No.</u>	<u>Detail Name</u>	<u>Rev.</u>	<u>Rev. Date</u>
IR1	Irrigation Construction Notes	3	3/2/2022
IR2	Irrigation Controller - Indoor Mount	2	6/19/2019
IR3	Irrigation Controller - Exterior Mount	2	6/19/2019
IR4	Irrigation Trench	2	6/19/2019
IR5	Irrigation Pipe Sleeve	2	6/19/2019
IR6	Irrigation Pressure Regulator	2	6/19/2019
IR7	Irrigation Solenoid Valve	2	6/19/2019
IR8	Irrigation Solenoid Valve - Unik Control	2	6/19/2019
IR9	Irrigation Quick Coupling Valve	2	6/19/2019
IR10	Irrigation Isolation Ball Valve	2	6/19/2019
IR11	Irrigation Manual Drain Valve	2	6/19/2019
IR12	Irrigation Manual Gate Valve	2	6/19/2019
IR13	Irrigation Double Check Valve Assy.	3	3/2/2022
IR14	Irrigation Rotary Spray Head	2	6/19/2019
IR15	Irrigation Pop-Up Spray Head	2	6/19/2019
IR16	Irrigation Head Placement Along Hardscape	2	6/19/2019

IRRIGATION CONSTRUCTION NOTES:

1. THE CONTRACTOR SHALL INSPECT THE SITE AND VERIFY CONDITIONS AND DIMENSIONS PRIOR TO CONSTRUCTION.
2. IRRIGATION PLANS ARE SCHEMATIC REPRESENTATIONS ONLY. PLACE LINES IN A COMMON TRENCH WHENEVER POSSIBLE. FIELD ADJUST LINES TO AVOID CONFLICT WITH UTILITIES.
3. IRRIGATION IS COORDINATED WITH THE PLANTING PLAN AND SITE IMPROVEMENTS AND IS DESIGNED WITH TRIANGULAR SPACING GIVING HEAD TO HEAD COVERAGE. COORDINATE IRRIGATION HEAD LAYOUT WITH NEW PLANT MATERIALS, LOCATE SPRAY HEADS 30" FROM BASE OF TREE. DO NOT ALTER HEAD LOCATION, PIPE LAYOUT, OR VALVE LOCATION WITHOUT WRITTEN APPROVAL FROM THE CITY ENGINEER. NOTIFY THE CITY ENGINEER IF DISCREPANCIES OCCUR BETWEEN THE PLANS AND FIELD CONDITIONS.
4. ALL COMPONENTS OF IRRIGATION SYSTEM SHALL BE INSTALLED AND PROPERLY ADJUSTED TO PROVIDE ADEQUATE COVERAGE AND MINIMIZATION OF OVER SPRAY ONTO WALKS, BUILDINGS, PARKING AREAS, ETC.
5. ALL PIPE SIZES INDICATED ARE MINIMUMS. CONTRACTOR MAY NOT DECREASE PIPE SIZE. LARGER PIPE SIZES MAY BE USED AT NO ADDITIONAL COST TO OWNER. IRRIGATION LATERALS ARE SIZED BEGINNING AT THE AUTOMATIC VALVE AND CONTINUING IN DIRECTION OF FLOW. REDUCTIONS IN PIPE SIZE ARE LABELED BEGINNING DOWNSTREAM OF NEAREST FITTING. ALL LATERALS NOT SIZED ARE MINIMUM 3/4".
6. INSTALL ALL IRRIGATION PIPE AND CONTROL WIRES IN MINIMUM 4" PVC SLEEVE BELOW ALL PAVED SURFACES UNLESS OTHERWISE INDICATED ON THE PLANS. INSTALL SLEEVES PRIOR TO PLACEMENT OF PAVEMENTS AND PAVEMENT SUB-BASE. SEE PIPE SLEEVING DETAIL FOR FURTHER REQUIREMENTS.
7. COORDINATE IRRIGATION POINTS OF CONNECTION AND LOCATION OF AUTOMATIC CONTROL VALVES WITH THE ENGINEER. COORDINATE ALL WORK WITH OTHER TRADES, I.E. ELECTRICAL, MASONRY, ETC.
8. CONTRACTOR TO PROGRAM AUTOMATIC CONTROLLER TO ALLOW FOR THE EQUIVALENT OF 1" OF WATER PER WEEK.
9. ALL PIPES SHALL BE TRENCHED. PROVIDE POSITIVE DRAINAGE OF MAINLINE. PLACE MANUAL DRAIN AT LOW POINTS IN MAINLINE. IDENTIFY LOCATIONS ON AS-BUILTS.
10. USE 45° ELBOWS INSTEAD OF 90° ELBOWS ON ALL MAINLINES 2-1/2" AND LARGER. INSTALL CONCRETE THRUST BLOCKS AT ALL MAINLINE CHANGES IN DIRECTION. POUR MINIMUM OF 1 CUBIC FOOT OF CONCRETE ON UNDISTURBED SOIL. WRAP PIPE IN PLASTIC PRIOR TO COVERING WITH CONCRETE.
11. CONTRACTOR TO INSTALL CONTROLLER, CPU ELECTRICAL, PHONE AND ACCESSORIES AS REQUIRED. CONTRACTOR TO FURNISH CONTROL WIRES FROM VALVES TO CONTROLLER. CONTRACTOR SHALL BE RESPONSIBLE FOR COORDINATING 110 VOLT SERVICE FROM BUILDING TO EXISTING JUNCTION BOX IN CONTROLLER HOUSING AND CONNECT CONTROLLER SERVICE.
12. ALL TONING WIRE, WHERE REQUIRED, SHALL BE 14 GAUGE COPPER CLAD STEEL WITH HDPE DIRECT BURY INSULATION. SEAL SPLICE CONNECTIONS WITH 3M DBY OR KING GEL CAPS.
13. ALL DIRECT BURY CONTROL WIRING AND CABLING SHALL HAVE SPLICE CONNECTIONS SEALED WITH 3M DBY OR RAIN BIRD DB SERIES WIRE CONNECTORS IN A SPLICE BOX.
14. SEE SPECIFICATIONS FOR FURTHER REQUIREMENTS.
15. WATER METER SHALL BE INSTALLED BY THE CITY. CONTRACTOR RESPONSIBLE FOR CONNECTIONS DOWNSTREAM OF WATER METER.
16. CONTRACTOR TO VERIFY WATER PRESSURE TO ENSURE THAT PRESSURE MATCHES THE SYSTEM DESIGN PRESSURE.
17. WHERE REQUIRED, CONTRACTOR SHALL PROVIDE AN APPROPRIATELY SIZED POLYMER IRRIGATION VALVE BOX LARGE ENOUGH TO CONTAIN THE SPECIFIED COMPONENTS. VALVE BOXES SHALL BE RAINBIRD VB SERIES, CARSON, OR APPROVED EQUIVALENT.
18. ALL IRRIGATION METERS REQUIRE INSTALLATION OF A STATE-APPROVED BACKFLOW PREVENTION DEVICE, WHICH ARE TO BE INSTALLED AFTER THE IRRIGATION METER.
19. FAILURE TO MEET TESTING REQUIREMENTS FOR THE BACKFLOW PREVENTION DEVICE ARE GROUNDS FOR TERMINATION OF WATER SERVICE FOR IRRIGATION. THE FOLLOWING ARE THE STATE-APPROVED BACKFLOW PREVENTION DEVICES:
 - a. DOUBLE CHECK VALVE ASSEMBLIES (DCVA);
 - b. PRESSURE VACUUM BREAKER ASSEMBLIES (PVBA); OR
 - c. REDUCED PRESSURE BACKFLOW ASSEMBLIES (RPBA).
 - d. ATMOSPHERIC VACUUM BREAKERS (AVB) ARE NOT PERMITTED



LANDSCAPE DETAIL
IRRIGATION CONSTRUCTION NOTES

[Signature] 3-2-22
DETAIL APPROVED BY DATE

NOT TO SCALE

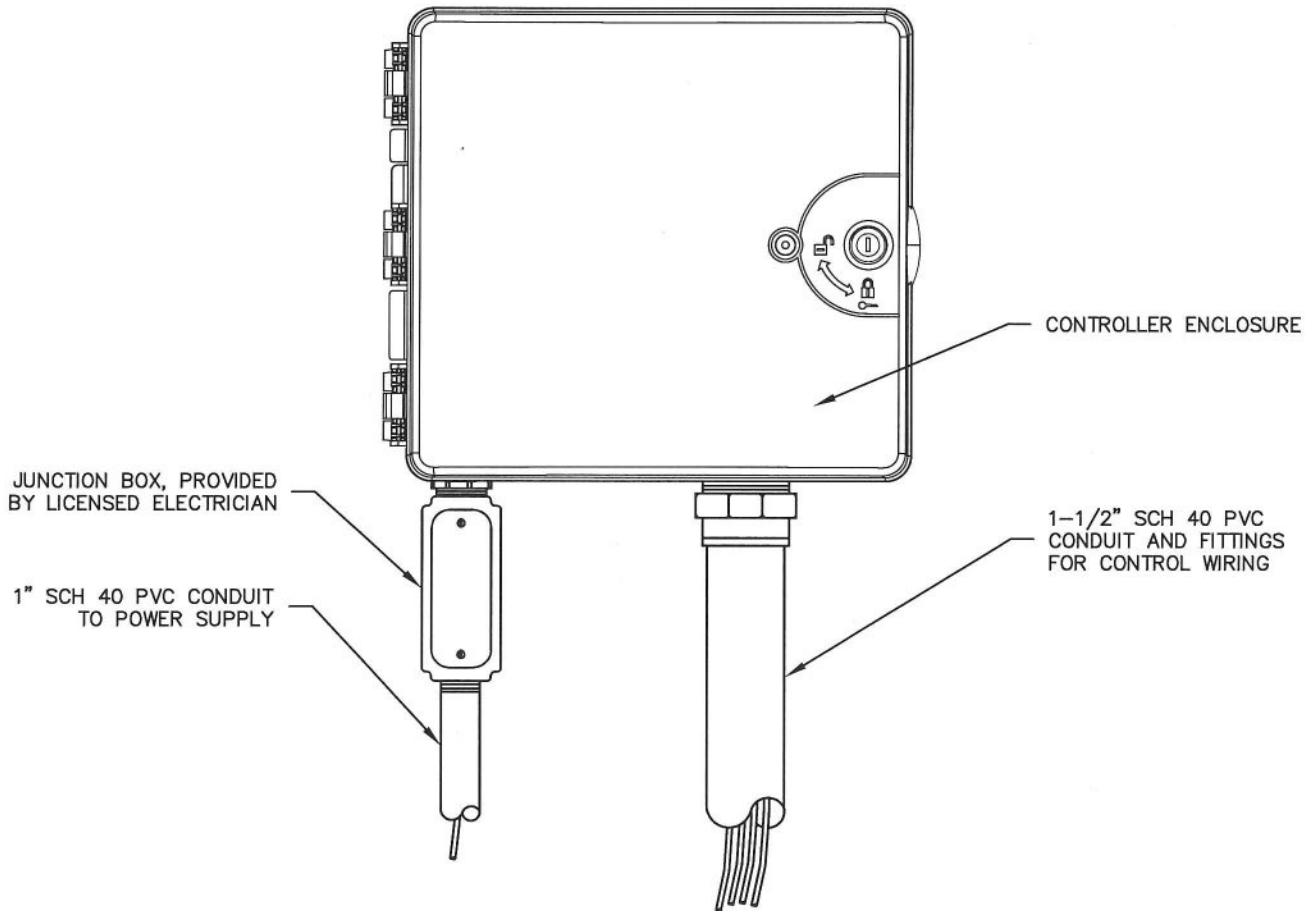
DETAIL NO.

IR1

REVISION: 3

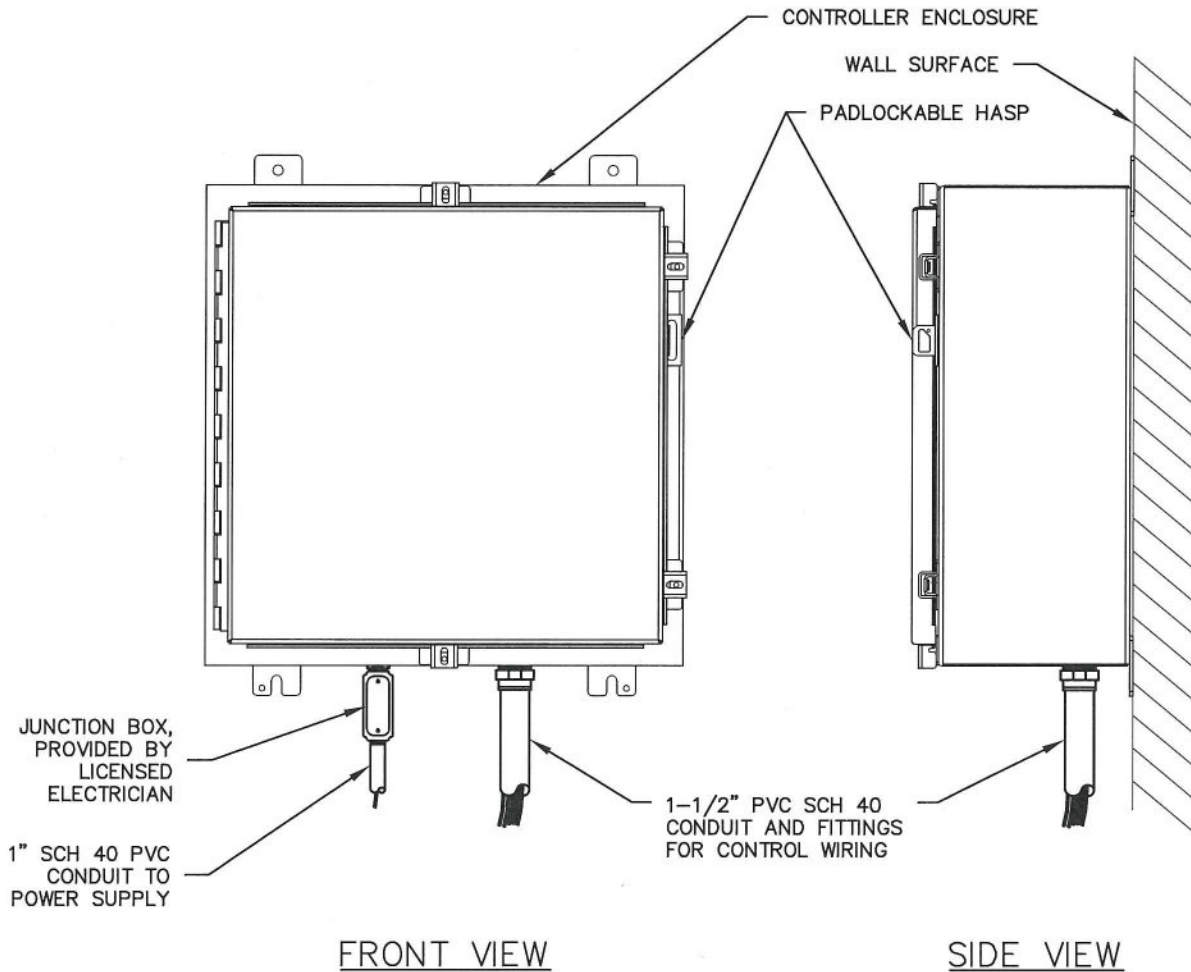
DATE: 03/02/2022

ST-IRRIGATION.DWG



NOTES:

1. IRRIGATION CONTROLLER SHALL BE A RAINBIRD ESP-LXME SERIES PROGRAMMABLE CONTROLLER, OR APPROVED EQUAL.
2. INTERIOR INSTALLATIONS DO NOT REQUIRE AN ENCLOSURE WHEN MOUNTED WITHIN THE UTILITY ROOM OF A RESTROOM OR OTHER FACILITY WHERE THE PUBLIC HAS NO ACCESS.
3. FOR EXTERIOR WALL MOUNTED APPLICATIONS SEE DETAIL IR3.

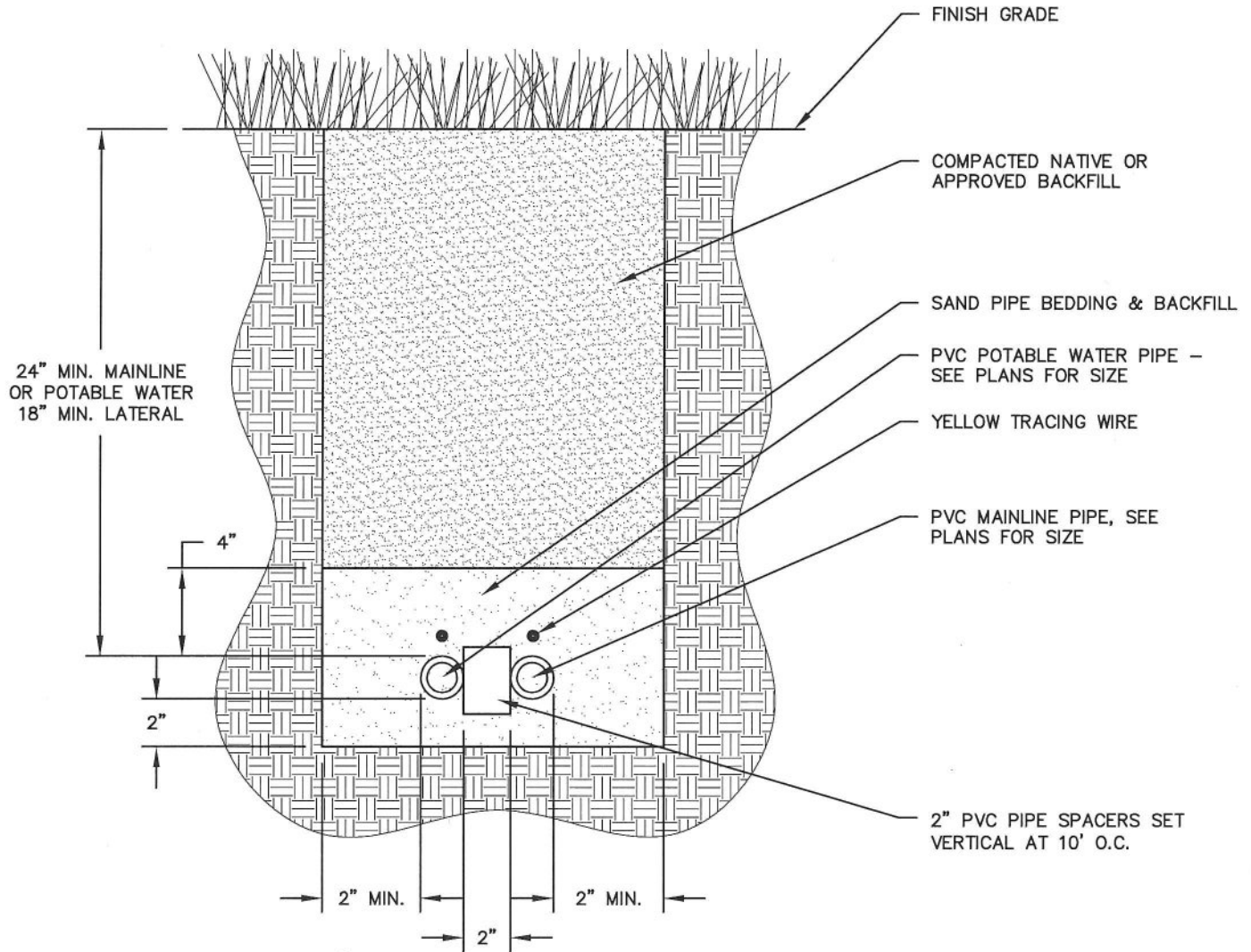


FRONT VIEW

SIDE VIEW

NOTES:

1. IRRIGATION CONTROLLER SHALL BE A RAINBIRD ESP-LXME PROGRAMMABLE CONTROLLER, OR APPROVED EQUAL.
2. INTERIOR INSTALLATIONS DO NOT REQUIRE AN ENCLOSURE WHEN MOUNTED WITHIN THE UTILITY ROOM OF A RESTROOM OR OTHER FACILITY WHERE THE PUBLIC HAS NO ACCESS. SEE DETAIL IR2.
3. EXTERIOR WALL MOUNTED ENCLOSURE SHALL BE STAINLESS STEEL, NEMA 4X RATED, 20"H x 20"W x 8"D SIZE, WITH BUILT-IN PADLOCKABLE HASP AND PLASTIC DATA POCKET. HOFFMAN, HAMMOND, WIEGMANN OR APPROVED EQUAL MANUFACTURER.
4. MOUNTING HARDWARE SHALL BE AS RECOMMENDED BY THE ENCLOSURE MANUFACTURER.
5. FOR INSTALLATIONS WITHIN THE RIGHT-OF-WAY WHERE THERE IS NO WALL MOUNTING SURFACE, THE ENCLOSURE MAY BE PIPE MOUNTED TO A 3 INCH DIAMETER GALVANIZED POST, OR OTHER PERMANENT INSTALLATION, AT A HEIGHT NOT TO EXCEED 3 FEET TO TOP OF ENCLOSURE AND SHALL BE HIDDEN BY VEGETATION.



NOTES:

1. ALL TONING WIRE SHALL BE 14 GAUGE YELLOW HDPE INSULATED COPPER CLAD STEEL. SEAL SPLICE CONNECTIONS WITH 3M DBY OR KING GEL CAPS.
2. PROVIDE A 48 INCH COIL OF TONING WIRE IN EACH VALVE BOX.



LANDSCAPE DETAIL
IRRIGATION TRENCH

DETAIL APPROVED BY *Jim P. Quattrone* 6-19-19 DATE

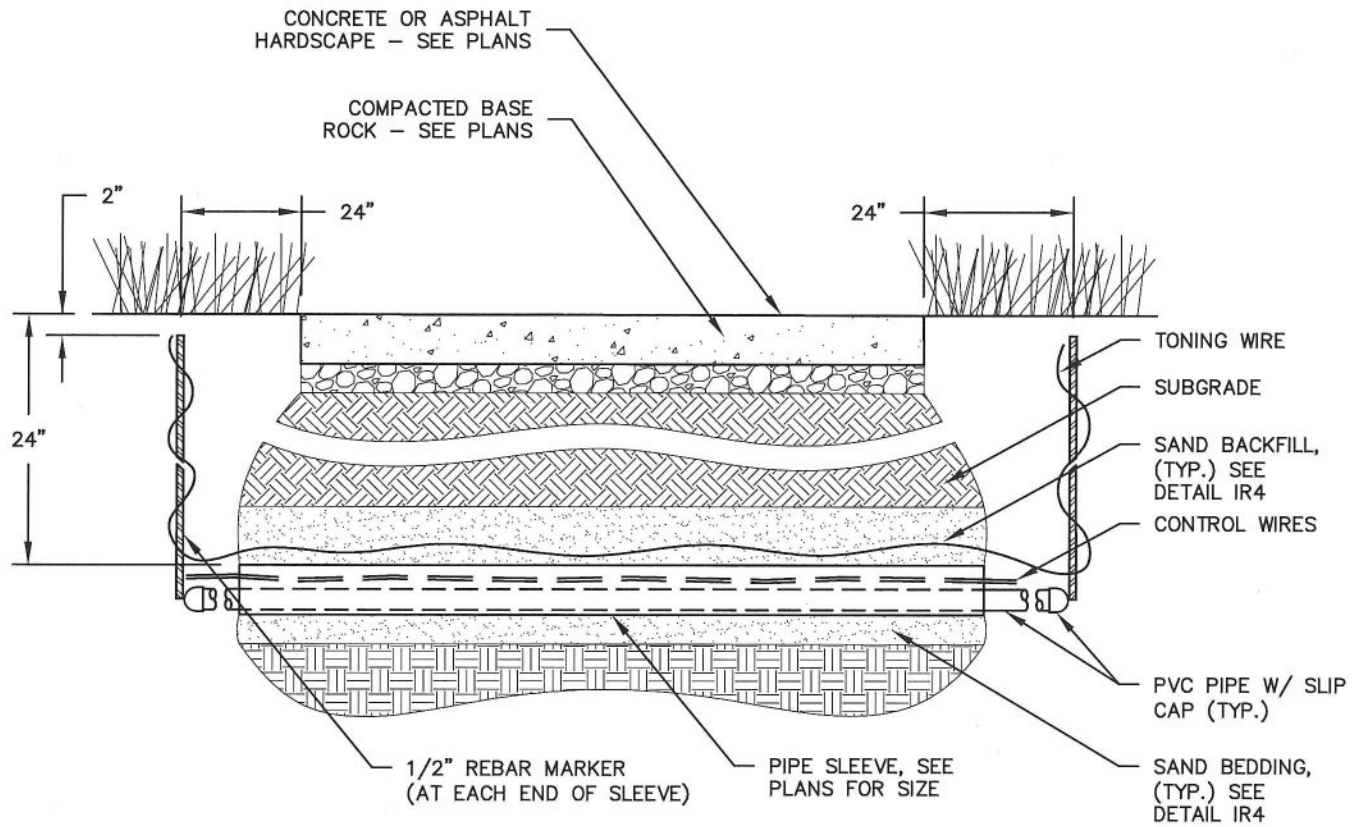
NOT TO SCALE

DETAIL NO.

IR4

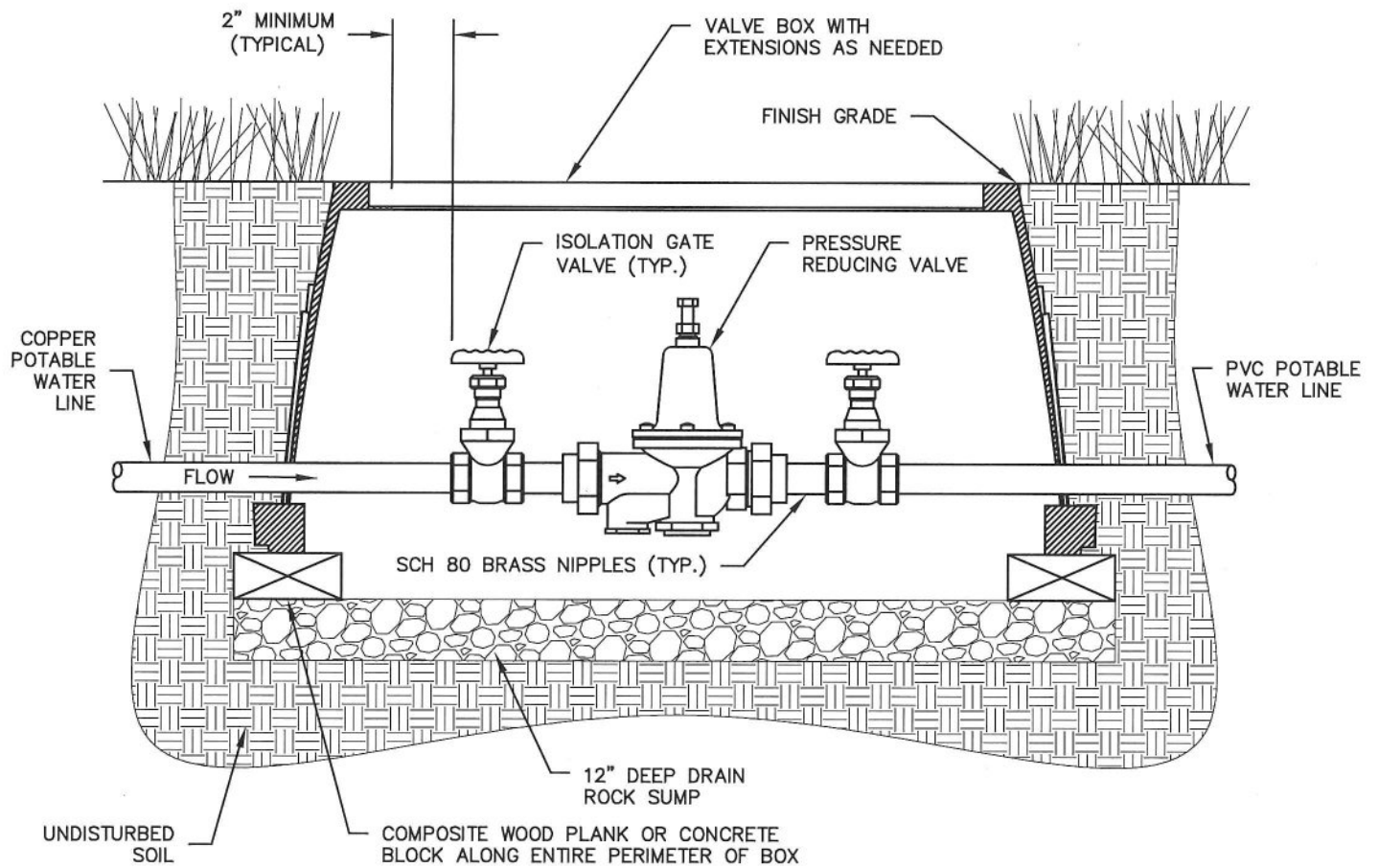
REVISION: 2

DATE: 6/19/2019



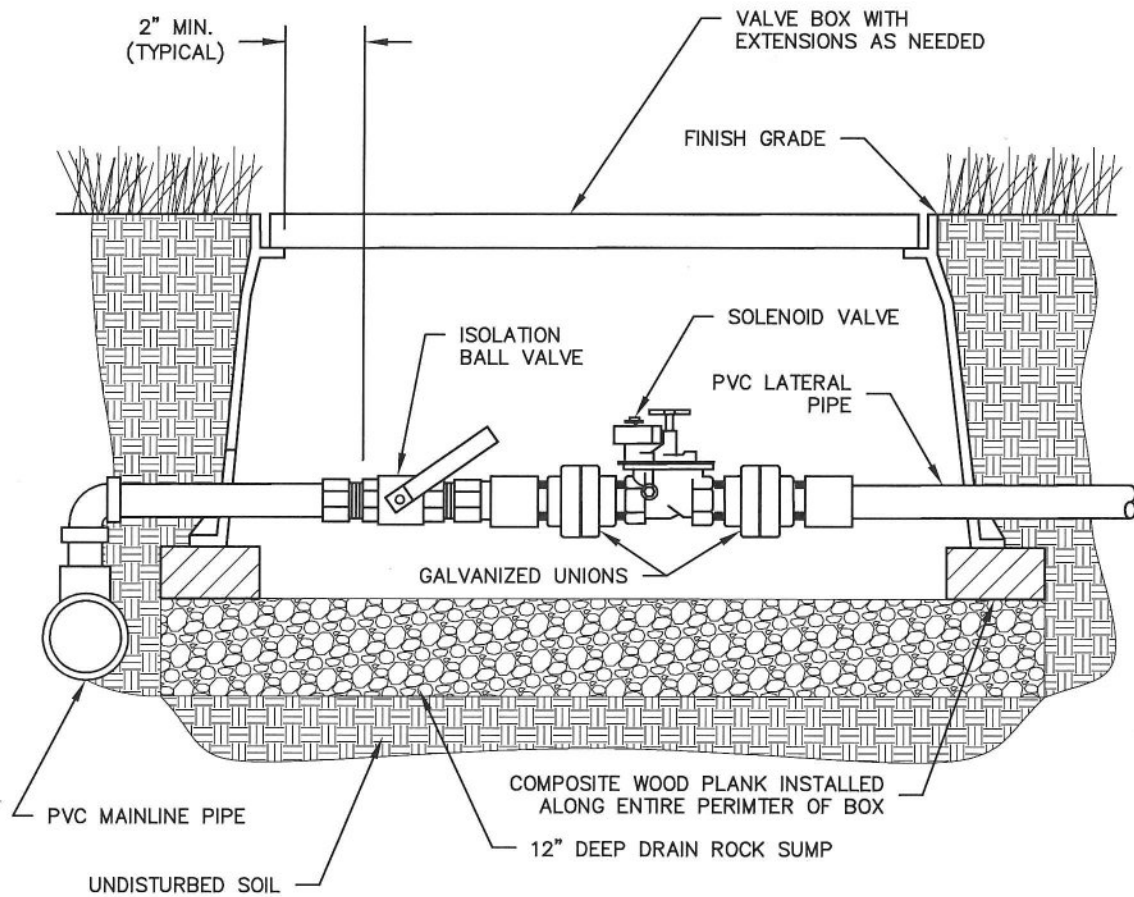
NOTES:

1. CONTRACTOR SHALL PROVIDE AN APPROPRIATELY SIZED IRRIGATION POLYMER VALVE BOX LARGE ENOUGH TO CONTAIN THE SPECIFIED COMPONENTS. VALVE BOXES SHALL BE RAINBIRD VB SERIES, CARSON, OR APPROVED EQUIVALENT.
2. PROVIDE TONING WIRE ALONG ALL PIPE SLEEVING.
3. ALL TONING WIRE SHALL BE 14 GAUGE YELLOW HDPE INSULATED COPPER CLAD STEEL. SEAL SPLICE CONNECTIONS WITH 3M DBY OR KING GEL CAPS.



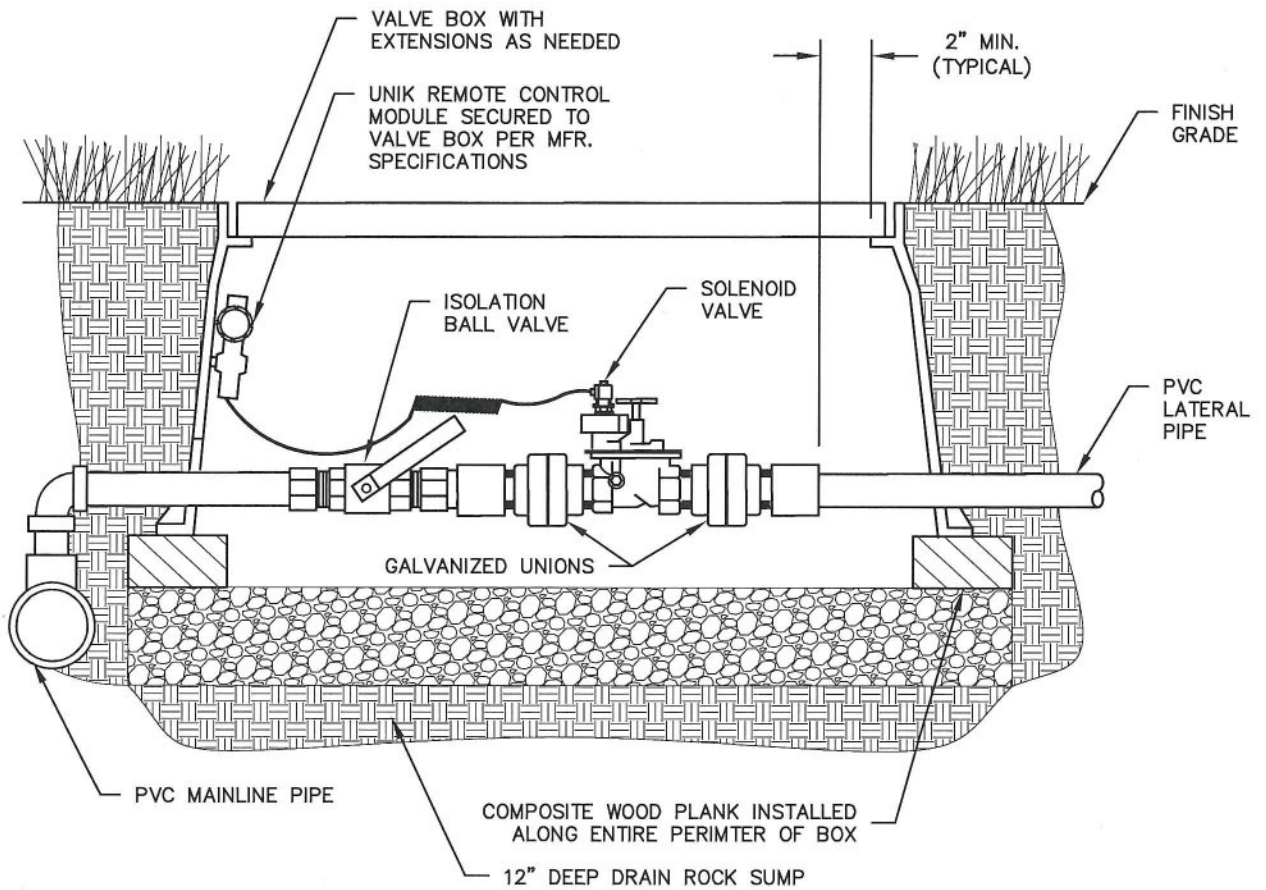
NOTES:

1. CONTRACTOR SHALL PROVIDE AN APPROPRIATELY SIZED POLYMER IRRIGATION VALVE BOX LARGE ENOUGH TO CONTAIN THE SPECIFIED COMPONENTS. VALVE BOXES SHALL BE RAINBIRD VB SERIES, CARSON, OR APPROVED EQUIVALENT.
2. ALL THREADED FITTINGS SHALL BE WRAPPED WITH TEFLON TAPE.
3. PRESSURE REDUCING VALVE SHALL BE A WATTS M/N 25AUB-Z3 WITH DOUBLE UNION END CONNECTIONS, OR APPROVED EQUAL.
4. FOR APPLICATIONS WHERE DRINKING FOUNTAINS ARE SUPPLIED, ALL COMPONENTS SHALL BE SUITABLE FOR POTABLE WATER.



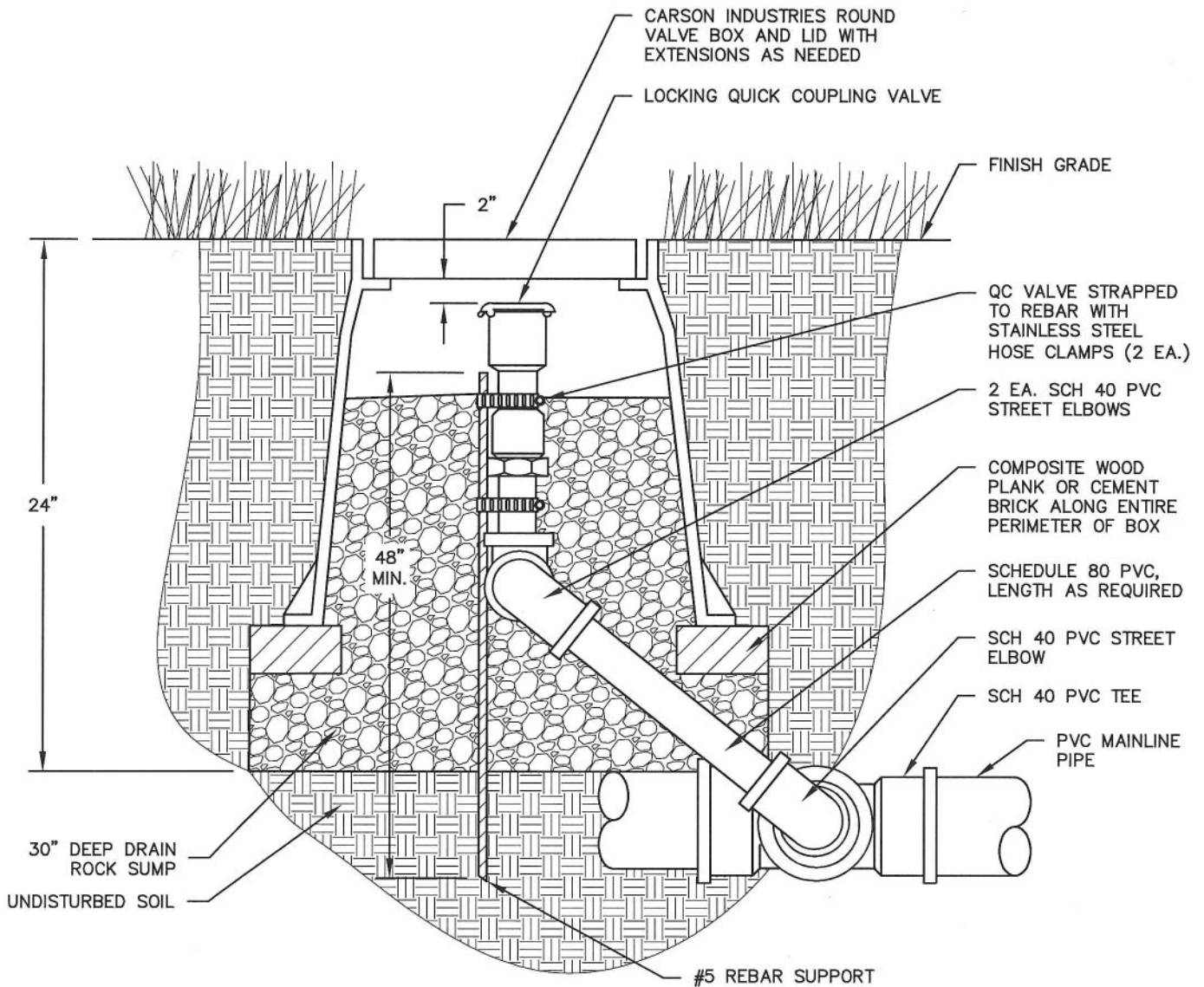
NOTES:

1. CONTRACTOR SHALL PROVIDE AN APPROPRIATELY SIZED POLYMER IRRIGATION VALVE BOX LARGE ENOUGH TO CONTAIN THE SPECIFIED COMPONENTS. VALVE BOXES SHALL BE RAINBIRD VB SERIES, CARSON, OR APPROVED EQUIVALENT.
2. ALL THREADED FITTINGS SHALL BE WRAPPED WITH TEFLON TAPE.



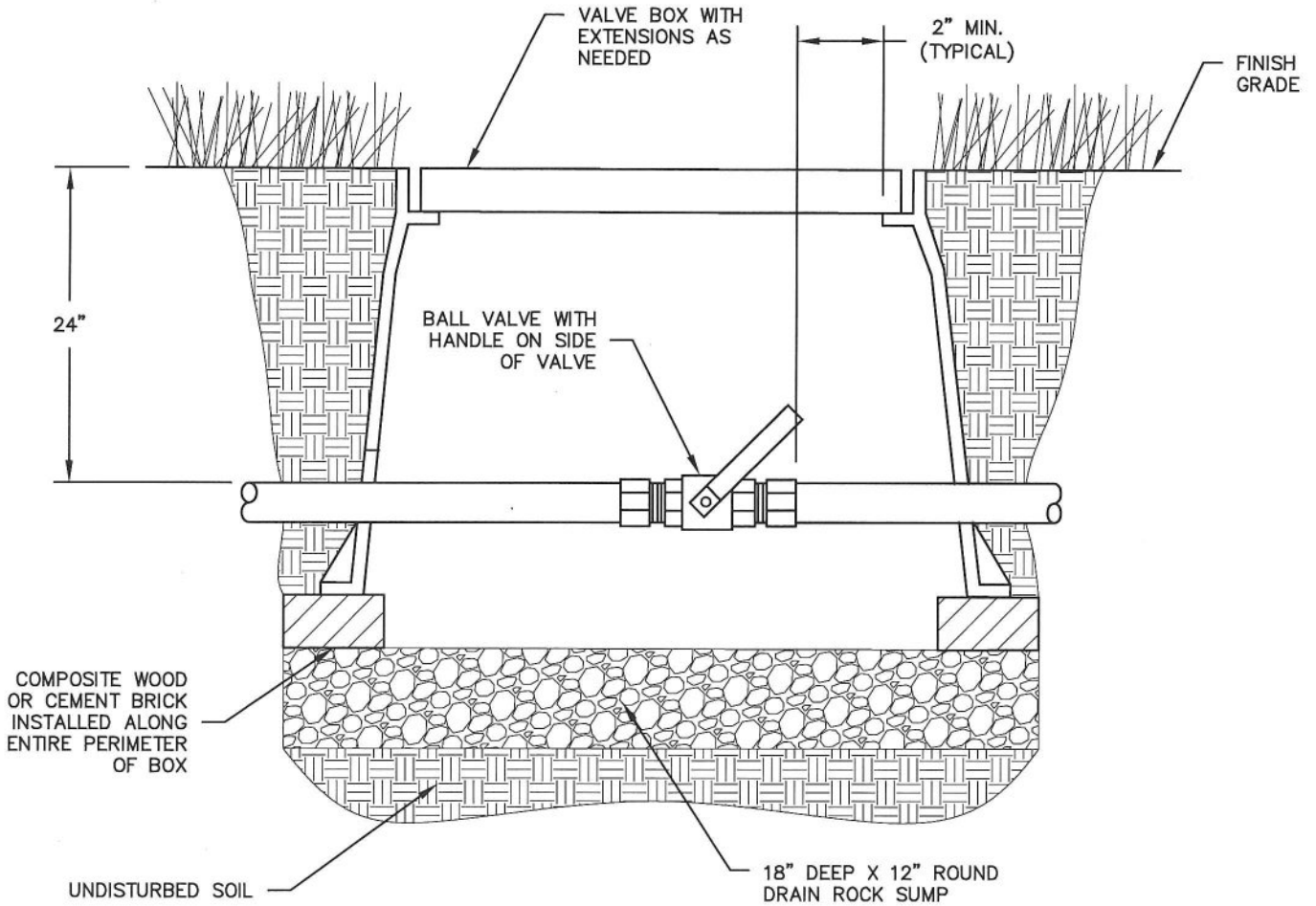
NOTES:

1. CONTRACTOR SHALL PROVIDE AN APPROPRIATELY SIZED POLYMER IRRIGATION VALVE BOX LARGE ENOUGH TO CONTAIN THE SPECIFIED COMPONENTS. VALVE BOXES SHALL BE RAINBIRD VB SERIES, CARSON, OR APPROVED EQUIVALENT.
2. ALL THREADED FITTINGS SHALL BE WRAPPED WITH TEFLON TAPE.



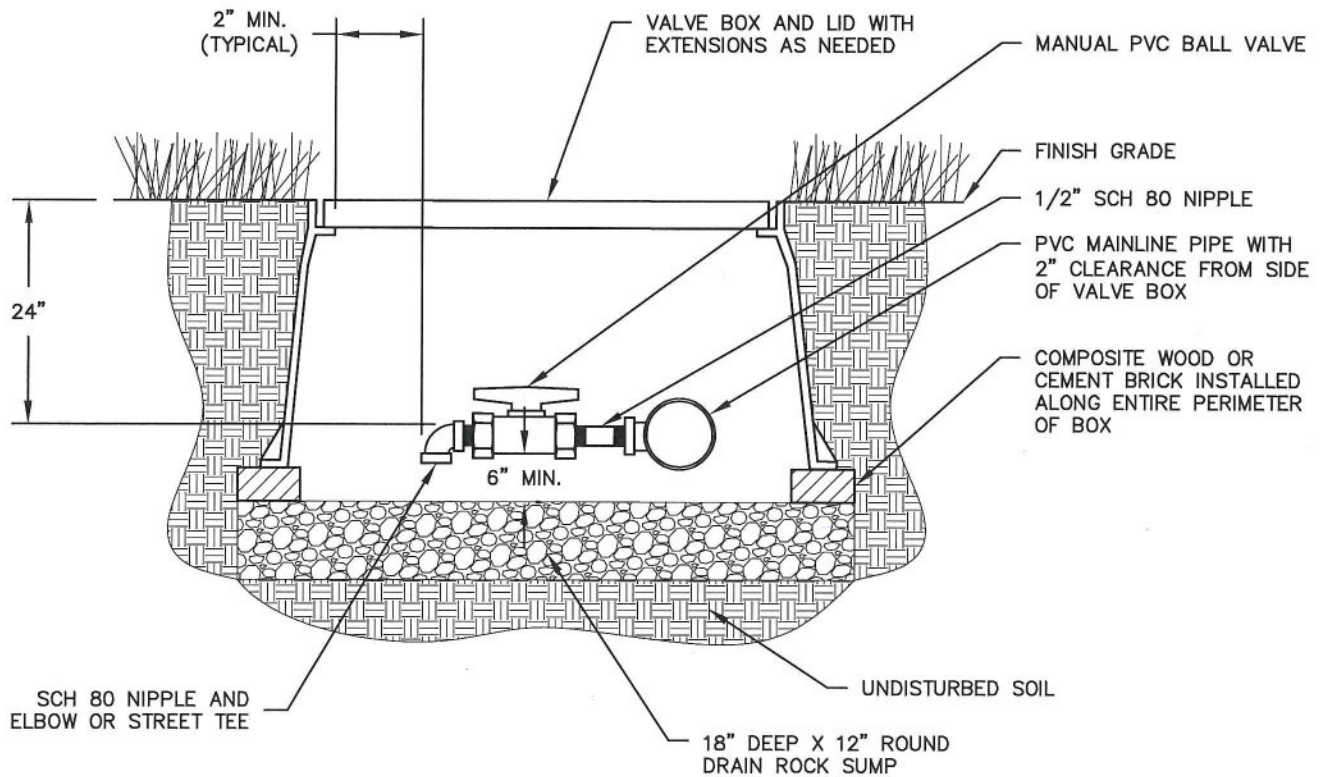
NOTES:

1. CONTRACTOR SHALL PROVIDE AN APPROPRIATELY SIZED POLYMER IRRIGATION VALVE BOX LARGE ENOUGH TO CONTAIN THE SPECIFIED COMPONENTS. VALVE BOXES SHALL BE RAINBIRD VB SERIES, CARSON, OR APPROVED EQUIVALENT.
2. ALL THREADED FITTINGS SHALL BE WRAPPED WITH TEFLON TAPE.
3. SWING JOINT SIZE SHALL BE SAME SIZE AS VALVE BOTTOM INLET.



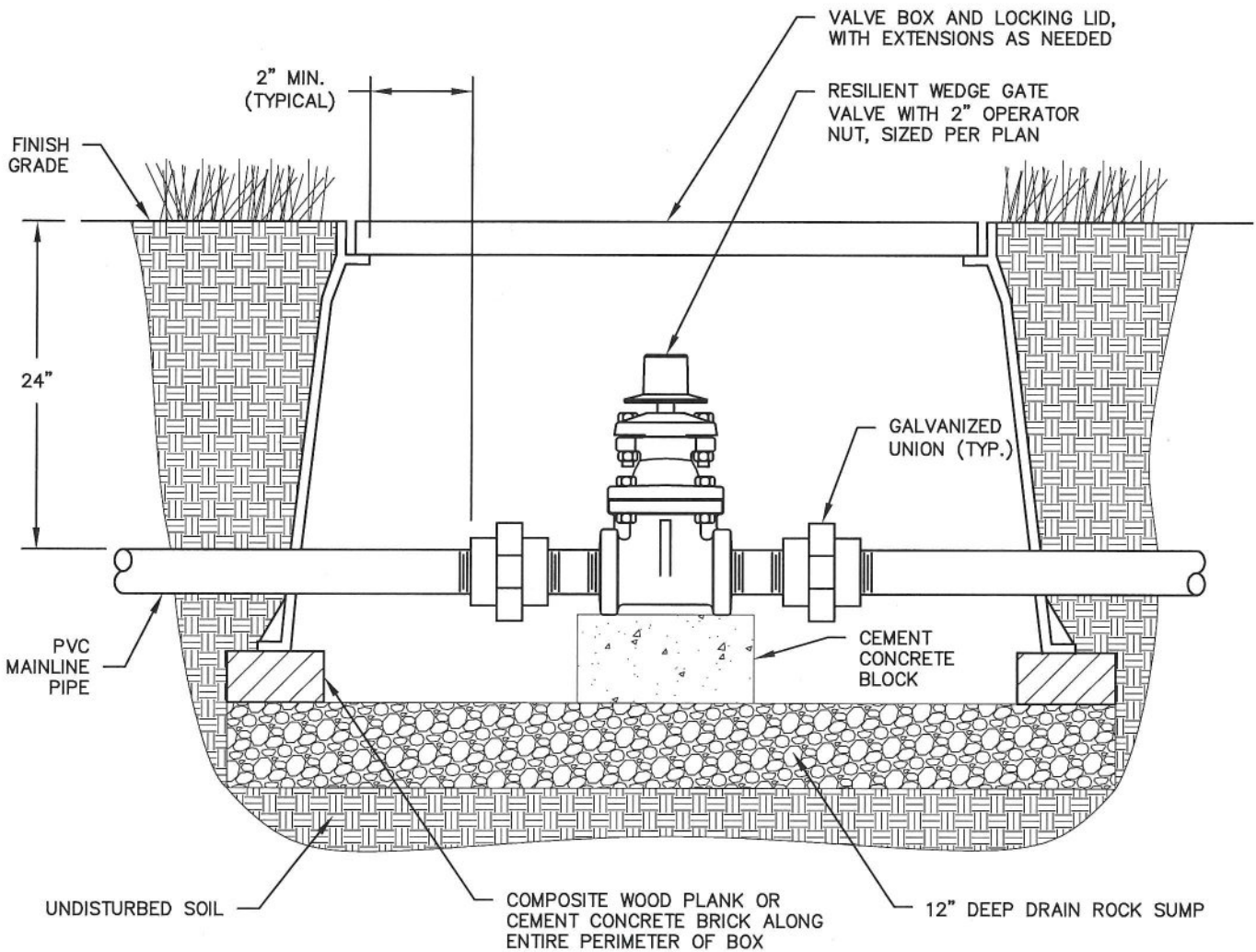
NOTES:

1. CONTRACTOR SHALL PROVIDE AN APPROPRIATELY SIZED POLYMER IRRIGATION VALVE BOX LARGE ENOUGH TO CONTAIN THE SPECIFIED COMPONENTS. VALVE BOXES SHALL BE RAINBIRD VB SERIES, CARSON, OR APPROVED EQUIVALENT.
2. ALL THREADED FITTINGS SHALL BE WRAPPED WITH TEFLON TAPE.



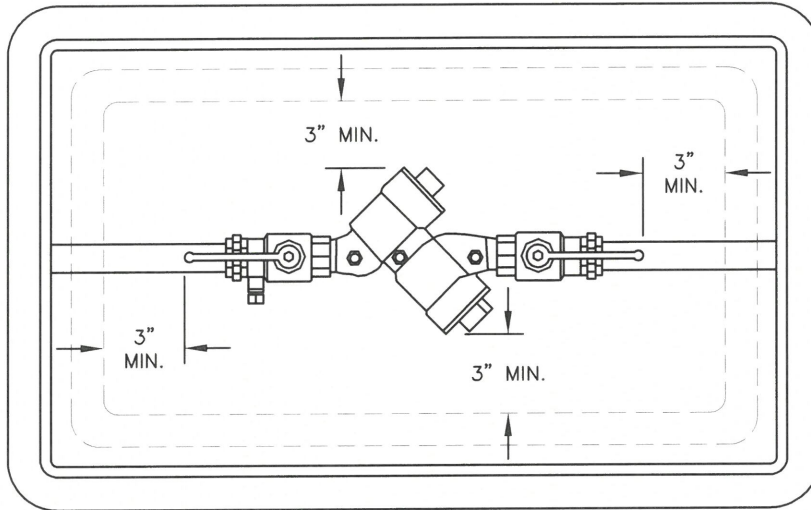
NOTES:

1. CONTRACTOR SHALL PROVIDE AN APPROPRIATELY SIZED POLYMER IRRIGATION VALVE BOX LARGE ENOUGH TO CONTAIN THE SPECIFIED COMPONENTS. VALVE BOXES SHALL BE RAINBIRD VB SERIES, CARSON, OR APPROVED EQUIVALENT.
2. ALL THREADED FITTINGS SHALL BE WRAPPED WITH TEFLON TAPE.
3. CONTRACTOR RESPONSIBLE FOR LOCATING DRAIN VALVE AT LOWEST POINT OF MAINLINE TO ENSURE POSITIVE DRAINAGE.
4. ALLOW FOR 1" CLEARANCE FROM HOLE IN BOX TO TOP OF PIPE.

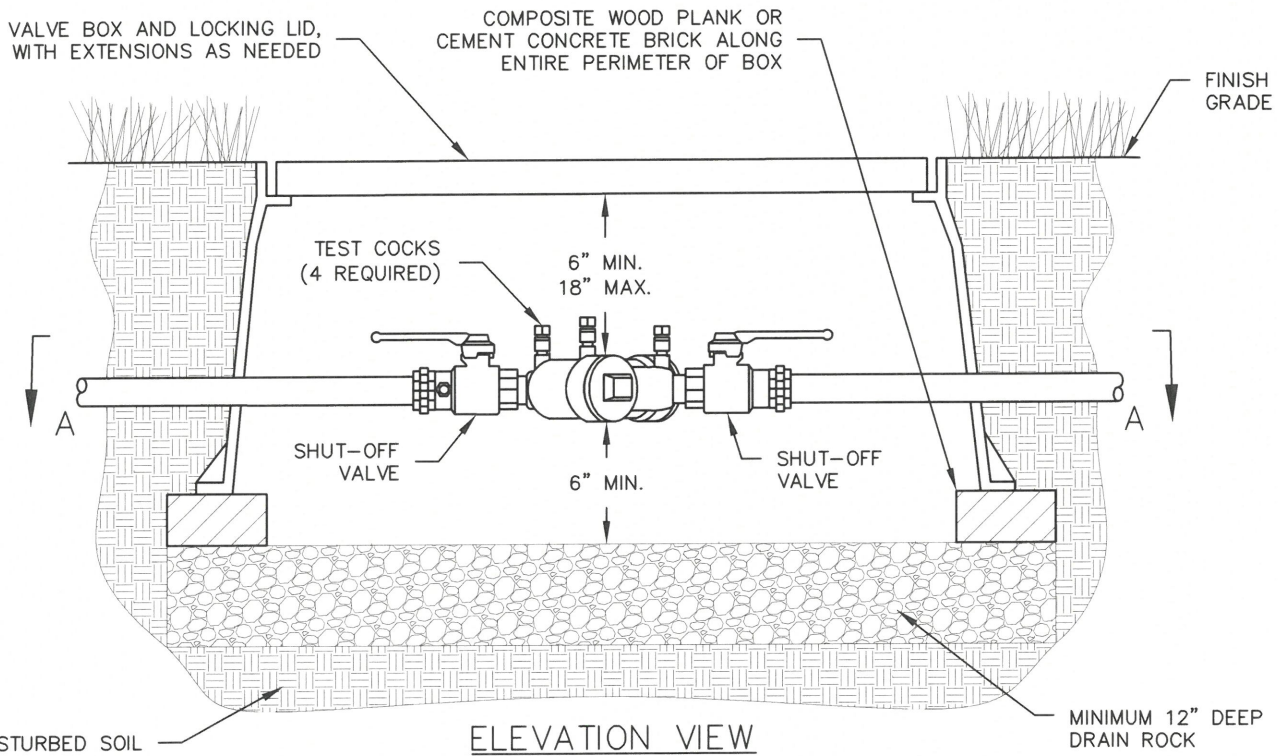


NOTES:

1. CONTRACTOR SHALL PROVIDE AN APPROPRIATELY SIZED POLYMER IRRIGATION VALVE BOX LARGE ENOUGH TO CONTAIN THE SPECIFIED COMPONENTS. VALVE BOXES SHALL BE RAINBIRD VB SERIES, CARSON, OR APPROVED EQUIVALENT.



VIEW A-A



ELEVATION VIEW

NOTES:

1. CONTRACTOR SHALL PROVIDE AN APPROPRIATELY SIZED POLYMER IRRIGATION VALVE BOX LARGE ENOUGH TO CONTAIN THE SPECIFIED COMPONENTS. VALVE BOXES SHALL BE RAINBIRD VB SERIES, CARSON, OR APPROVED EQUIVALENT.
2. APPROVED DOUBLE CHECK VALVE ASSEMBLY TO LAY HORIZONTAL WITH GROUND. TEST COCKS TO EITHER FACE OUTWARDS OR UPWARDS FROM ASSEMBLY.
3. DESIGNED FOR BACK SIPHONING AND BACK PRESSURE.
4. THOROUGHLY FLUSH LINES PRIOR TO INSTALLATION OF BACKFLOW PREVENTER.
5. THE DCVA MAY BE INSTALLED ABOVE OR BELOW THE GROUND PROVIDED ALL CLEARANCES ARE MET.
6. DO NOT INSTALL IN AN AREA SUBJECT TO FLOODING. MUST BE ACCESSIBLE AND PROTECTED FROM FREEZING CONDITIONS.
7. THE DOUBLE CHECK VALVE BACKFLOW PREVENTER ASSEMBLY SHALL BE ASSE LISTED 1015 APPROVED AND INCLUDE FULL PORT BALL VALVES WITH RESILIENT SEATS AND UNION CONNECTIONS.
8. A PLUMBING PERMIT IS REQUIRED. PLEASE CONTACT THE CITY OF CAMAS BUILDING DEPARTMENT.
9. MUST BE TESTED AFTER INSTALLATION BY A WASHINGTON STATE CERTIFIED BACKFLOW ASSEMBLY TESTER. TEST RESULTS SHALL BE SENT TO THE CITY OF CAMAS WATER DEPARTMENT.
10. SEE IRRIGATION CONSTRUCTION NOTES, DETAIL IR1, FOR APPROVED BACKFLOW PREVENTION DEVICES



LANDSCAPE DETAIL
IRRIGATION DOUBLE CHECK VALVE ASSY.

Jan P. Coulter 3-2-22
DETAIL APPROVED BY DATE

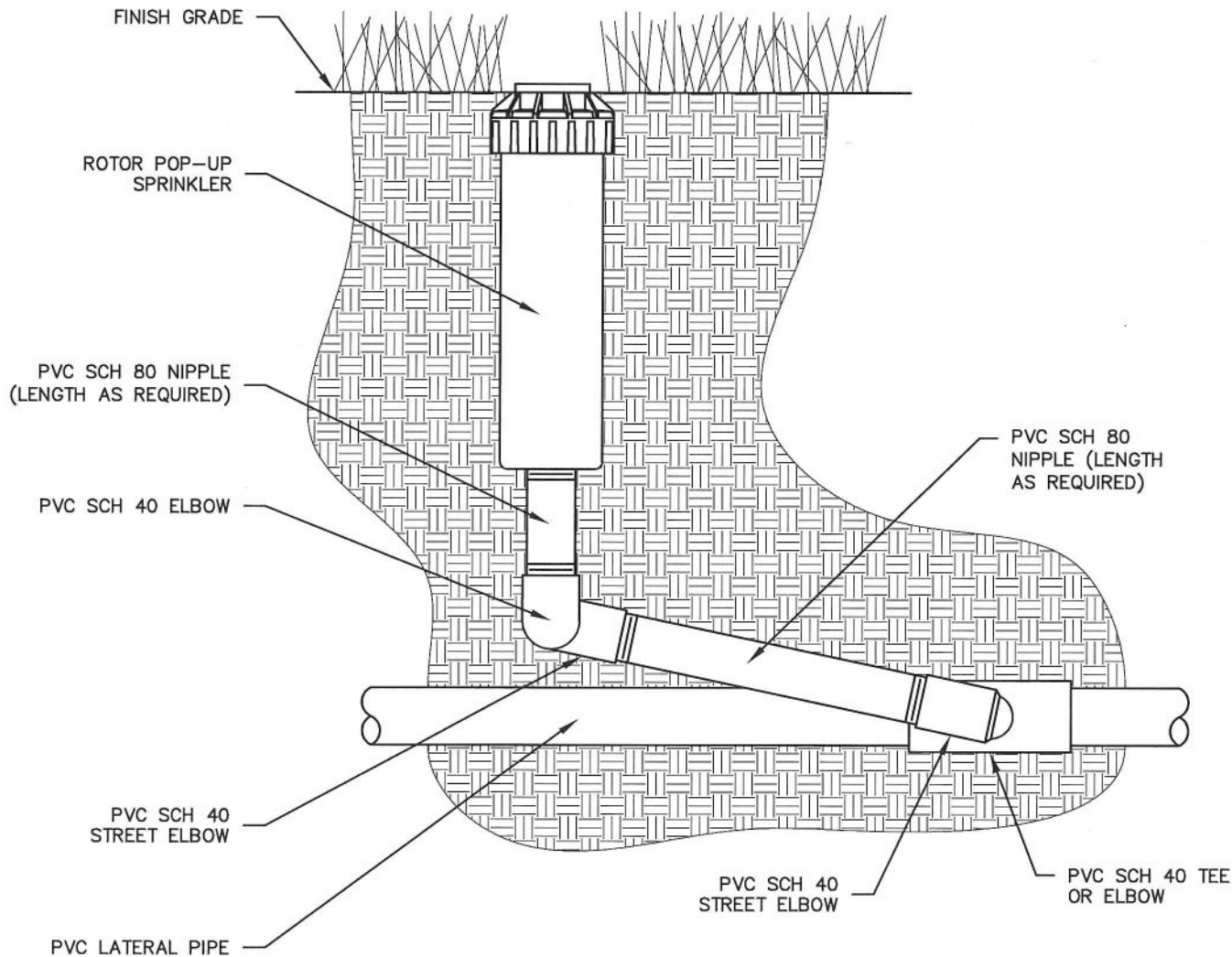
REVISION: 3 DATE: 03/02/2022

NOT TO SCALE

DETAIL NO.

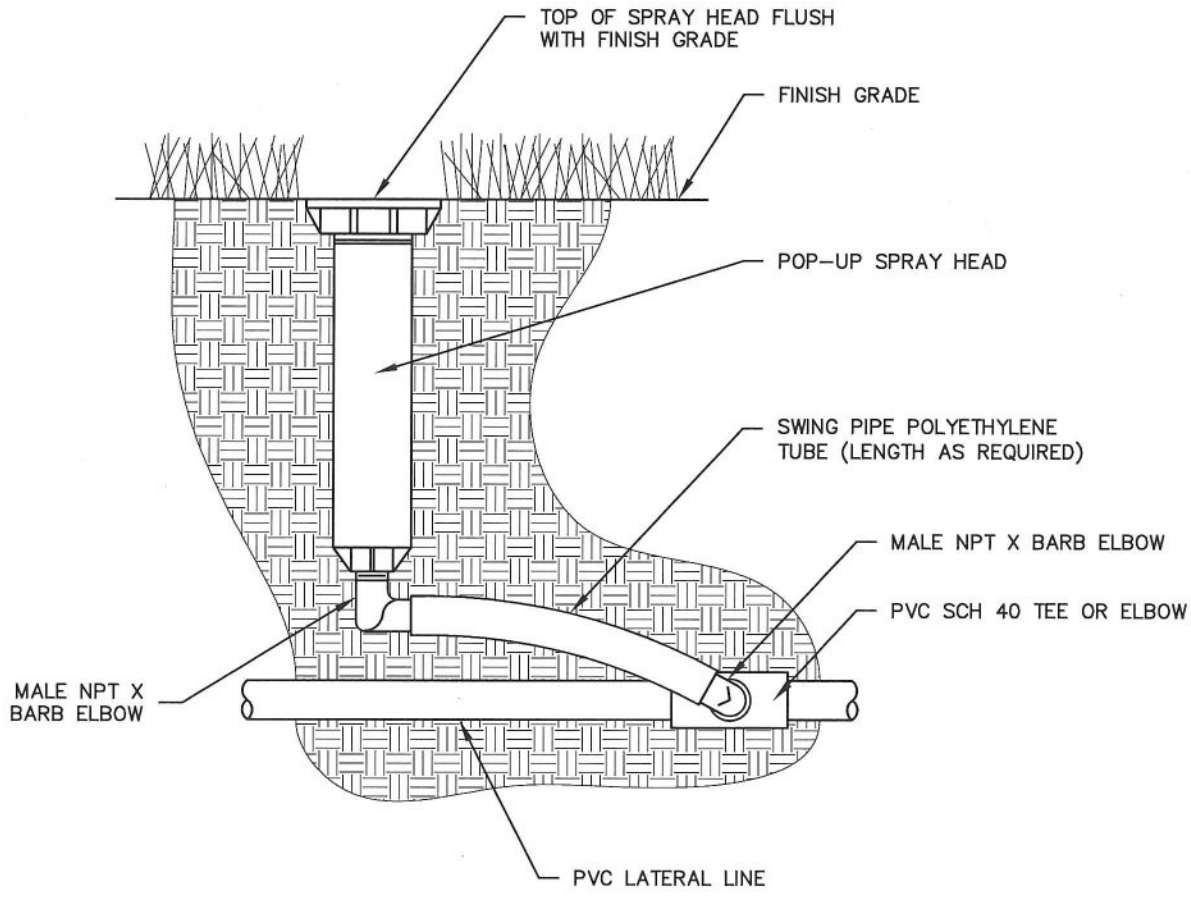
IR13

ST-IRRIGATION.DWG



NOTES:

1. ALL THREADED FITTINGS SHALL BE WRAPPED WITH TEFLON TAPE.
2. SWING JOINT SIZE SHALL NOT BE LESS THAN HEAD INLET SIZE.
3. ROTARY SPRAY HEADS SHALL BE HUNTER I-40, I-25, OR APPROVED EQUAL, SUBMITTAL REQUIRED.
4. WHEN SPRAY HEADS ARE LOCATED ALONG SIDEWALK OR CURBING THE HEADS SHALL BE MINIMUM 3" FROM HARDSCAPE AND PIPES MINIMUM 6" FROM HARDSCAPE.
5. PRE-FABRICATED SWING JOINT ASSEMBLY WITH O-RINGS MAY BE USED INSTEAD OF INDIVIDUAL PARTS AS SHOWN.



NOTES:

1. ALL THREADED FITTINGS SHALL BE WRAPPED WITH TEFLON TAPE.
2. SWING PIPE SHALL BE POLYETHYLENE AND SIZE SHALL NOT BE LESS THAN HEAD INLET SIZE.
3. POP-UP SPRAY HEADS SHALL BE RAIN BIRD 1800 OR APPROVED EQUAL, SUBMITTAL REQUIRED.
4. WHEN SPRAY HEADS ARE LOCATED ALONG SIDEWALK OR CURBING THE HEADS SHALL BE MINIMUM 3" FROM HARDSCAPE AND PIPES MINIMUM 6" FROM HARDSCAPE.



LANDSCAPE DETAIL
IRRIGATION POP-UP SPRAY HEAD

Don P. Caruth 6-19-19
DETAIL APPROVED BY DATE

NOT TO SCALE

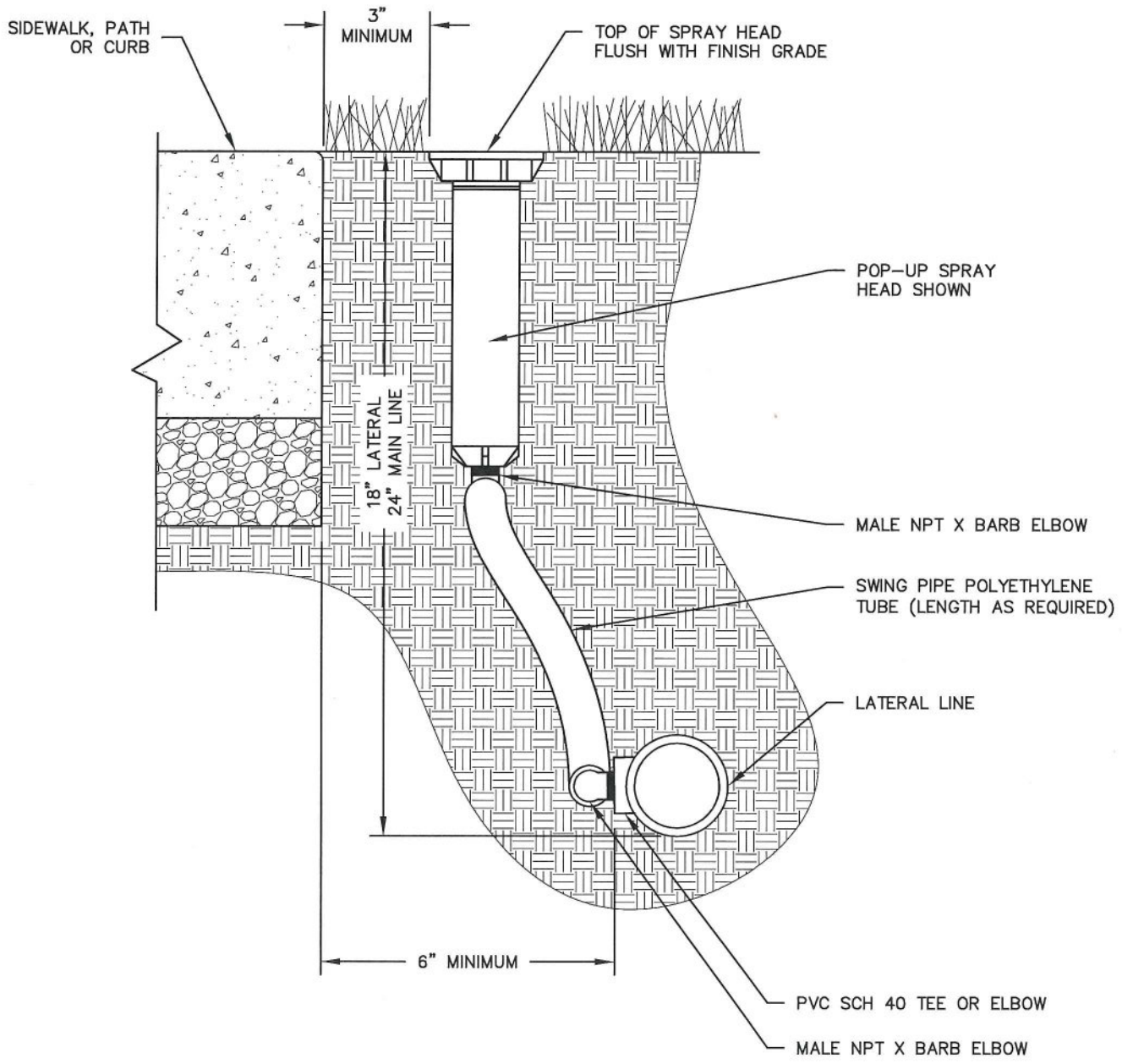
DETAIL NO.

IR15

REVISION: 2

DATE: 6/19/2019

ST-IRRIGATION.DWG



NOTES:

1. ALL THREADED FITTINGS SHALL BE WRAPPED WITH TEFLON TAPE.
2. SWING PIPE SHALL BE POLYEHTYLENE AND SIZE SHALL NOT BE LESS THAN HEAD INLET SIZE.
3. WHEN SPRAY HEADS ARE LOCATED ALONG SIDEWALK OR CURBING THE HEADS SHALL BE MINIMUM 3" FROM HARDSCAPE AND PIPES MINIMUM 6" FROM HARDSCAPE.



LANDSCAPE DETAIL
IRRIGATION HEAD PLACEMENT ALONG HARDSCAPE

Jan P. Carothers 6-19-19
 DETAIL APPROVED BY DATE

NOT TO SCALE

DETAIL NO.

IR16

REVISION: 2

DATE: 6/19/2019

ST-IRRIGATION.DWG