



Street Details

City of Camas Street Details ~ INDEX

<u>Detail No.</u>	<u>Detail Name</u>	<u>Rev.</u>	<u>Rev. Date</u>
ST1	STREET CONSTRUCTION NOTES	3	7/17/18
ST1A	STREET SIGNING NOTES	2	3/24/22
ST2	2 LANE LOCAL/COLLECTOR (60' ROW)	5	7/17/18
ST3	2 LANE LOCAL/SPRINKLERED (52' ROW)	5	7/17/18
ST4	2 LANE COLLECTOR/ARTERIAL (60' ROW)	5	7/17/18
ST5	3 LANE COLLECTOR/ARTERIAL (74' ROW)	6	7/17/18
ST6	5 LANE ARTERIAL (100' ROW)	4	7/17/18
ST7	CURB AND GUTTER	3	1/1/11
ST8	ROLLED CURB AND GUTTER	3	1/1/11
ST9	HIGH SIDE CURB AND GUTTER	2	1/1/11
ST10	CURB AND GUTTER TRANSITION	3	1/1/11
ST11	DRAINAGE WEEPHOLE (LOTS ABOVE GRADE)	3	3/24/22
ST12	CEMENT CONCRETE BARRIER CURB	3	1/1/11
ST13	EXTRUDED CURB	2	1/1/11
ST14	DRIVEWAY/SIDEWALK WITH PLANTER	4	1/1/11
ST15	RETRO-FIT DRIVEWAY/SIDEWALK WITH PLANTER	3	1/1/11
ST16	RETRO-FIT DRIVEWAY/SIDEWALK WITHOUT PLANTER	3	1/1/11
ST17	DRIVEWAY/SIDEWALK W/O PLANTER	4	1/1/11
ST18	SIDEWALKS	5	3/24/22
ST19	PEDESTRIAN CURB	1	1/1/11
ST20	TYPE 1 PERPENDICULAR CURB RAMP	6	3/7/22
ST20A	TYPE 1 DUAL PERPENDICULAR CURB RAMP	3	3/7/22
ST21	TYPE 2 PARALLEL CURB RAMP	4	3/7/22
ST21A	TYPE 2 DUAL PARALLEL CURB RAMP	2	3/7/22
ST22	TYPE 3 CURB RAMP	4	3/7/22
ST23	COMBINATION CURB RAMP	6	3/7/22
ST24	MID-BLOCK CURB RAMP	5	3/7/22
ST25	MID-BLOCK REGIONAL TRAIL CURB RAMP	4	3/7/22
ST26	MID-BLOCK PERPENDICULAR CURB RAMP	4	3/7/22
ST27	SINGLE DIRECTION CURB RAMP	1	3/7/22
ST28	RETROFIT DIRECTIONAL CURB RAMP	3	4/26/16
ST29	DETECTABLE WARNING PATTERN	3	10/21/14
ST30	CROSSWALK MARKING	2	1/1/11
ST31	MIDBLOCK CROSSWALK MARKING	2	1/1/11
ST32	TRAFFIC CALMING BULBOUT	2	1/1/11
ST33	BICYCLE LANE MARKING	2	10/21/14
ST34	VACANT		
ST35	TYPE III BARRICADE	2	1/1/11
ST36	DEAD END TURNAROUND	3	3/2/22
ST36A	DEAD END TURNAROUND - PRIVATE STREETS	1	1/20/23
ST37	MAILBOX INSTALLATION GUIDELINES	2	1/1/11
ST38	BOLLARD - TYPE 1 AND TYPE 2	1	1/1/11
ST39	STREET SIGN MOUNTING HEIGHTS & LOCATIONS	1	3/24/22
PVT1	PRIVATE STREET - A	4	1/20/23
PVT2	PRIVATE STREET - B	3	5/30/19
PVT3	PRIVATE STREET - C	3	5/30/19
PVT4	PRIVATE STREET - D	3	5/30/19
PVT5	PRIVATE - ALLEY	4	1/20/23
PVT6	COMMERCIAL / INDUSTRIAL	3	5/30/19

STREET CONSTRUCTION NOTES:

1. ENGINEERED FILL SHALL BE PLACED AND COMPACTED IN ACCORDANCE WITH THE MOST RECENTLY ADOPTED EDITION OF THE W.S.D.O.T STANDARD SPECIFICATIONS SECTION 2-03.3(14). FOR FILL AREAS WITHIN ROADWAYS, METHOD C OF (14)C SHALL BE USED. FOR FILL AREAS OUTSIDE OF ROADWAYS METHOD B SHALL BE USED. ALL FILL PLACED SHALL BE VERIFIED BY GEOTECHNICAL TESTING. TEST RESULTS SHALL BE FORWARDED TO THE CITY OF CAMAS PROJECT ENGINEER.
2. MATERIALS IN SOFT SPOTS WITHIN THE ROADWAY SHALL BE REMOVED TO THE DEPTH REQUIRED TO PROVIDE A FIRM FOUNDATION AND SHALL BE BACKFILLED WITH 1-1/2 INCH MINUS CRUSHED ROCK.
3. ALL SUBGRADE TO BE PROOF ROLLED AND APPROVED BY THE CITY INSPECTOR AND/OR BY A GEOTECHNICAL ENGINEER WITH THE CONSENT OF THE CITY ENGINEER. SUBGRADE FILLS ARE TO BE TESTED USING THE A.A.S.H.T.O. T-180 TEST METHOD.
4. ALL TRENCH LINES, FILL AREAS AND BASE COURSE LOCATED IN THE RIGHT-OF-WAY SHALL BE PER TRENCH DETAIL G2 AND THE STREET SECTION DETAILS AND SHALL MEET 95% OF A.A.S.H.T.O. T-180 COMPACTION. TRENCH LINES LOCATED WITHIN AN EXISTING ROADWAY SHALL BE PLATED OR TOPPED WITH COLD MIX. GRANULAR BACKFILL OVERNIGHT IS NOT ALLOWED. PLATES SHALL HAVE COLD MIX AROUND ALL EDGES.
5. THE CONTRACTOR SHALL NOTIFY THE CITY INSPECTOR A MINIMUM OF 24 HOURS PRIOR TO SUBGRADE PROOF ROLL OR GRADE CHECK INSPECTIONS.
6. THE AGGREGATE ROAD BASE SHALL BE COMPACTED IN ACCORDANCE WITH THE MOST RECENTLY ADOPTED EDITION OF THE W.S.D.O.T. STANDARD SPECIFICATIONS SECTION 4-04.3. THE CONTRACTOR SHALL SUBMIT TEST RESULTS TO THE ENGINEER AND CITY INSPECTOR. MAXIMUM DENSITY (95%) AS DETERMINED BY A.A.S.H.T.O. T-180 TEST METHOD.
7. ASPHALT CONCRETE PAVEMENT MIX SHALL BE DESIGNED FROM A MIX FORMULA APPROVED BY W.S.D.O.T. FOR MATERIAL USED. CONTRACTOR TO PROVIDE THE CITY WITH CERTIFICATE OF COMPLIANCE FROM THE ASPHALT PAVEMENT PLANT, UNLESS OTHERWISE INDICATED.
8. THE ASPHALT CONCRETE PAVEMENT MIX SHALL BE COMPACTED IN ACCORDANCE WITH THE MOST RECENTLY ADOPTED EDITION OF THE W.S.D.O.T STANDARD SPECIFICATIONS SECTION 5-04.3(10). CONTRACTOR SHALL SUBMIT TEST RESULTS TO THE ENGINEER AND THE CITY INSPECTOR.
9. ALL STORM SYSTEM IMPROVEMENTS AND STORMWATER DETENTION AND TREATMENT FACILITIES SHALL BE COMPLETED AND PROPERLY FUNCTIONING PRIOR TO ANY PAVING.
10. HALF STREET IMPROVEMENTS SHALL INCLUDE AN ANALYSIS OF THE EXISTING STRUCTURAL SECTION OUT TO CENTERLINE. IF FOUND TO BE SUBSTANDARD, THE DEVELOPER SHALL BE REQUIRED TO PROVIDE AN ADEQUATE STRUCTURAL SECTION TO CENTERLINE. THIS MAY CONSIST OF A STRUCTURAL OVERLAY OR A COMPLETE STREET RECONSTRUCTION AS DETERMINED BY A GEOTECHNICAL ANALYSIS AND AS APPROVED BY THE CITY ENGINEER.
11. ALL SIDEWALK AND CURB RAMPS SHALL COMPLY WITH THE MOST RECENT EDITION OF THE W.S.D.O.T. FIELD GUIDE FOR ACCESSIBLE PUBLIC RIGHTS OF WAY.



STREET DETAIL
STREET CONSTRUCTION NOTES

NOT TO SCALE

DETAIL NO.

Jim P. Crutcher 7-23-18
DETAIL APPROVED BY DATE

REVISION: 3

DATE: 7/17/2018

ST1

STREET NAME SIGN CONSTRUCTION NOTES:

1. PERMANENT SIGNING MATERIALS, CONSTRUCTION, AND WORKMANSHIP SHALL BE IN ACCORDANCE WITH THE MOST RECENTLY ADOPTED EDITION OF THE WSDOT STANDARD SPECIFICATIONS SECTION 8-21, AND THE LATEST EDITION OF THE MANUAL ON UNIFORM TRAFFIC CONTROL DEVICES (MUTCD) EXCEPT WHERE NOTED.
2. PUBLIC LOCAL AND NEIGHBORHOOD STREETS – STREET NAME SIGNS SHALL BE 6-INCH, SINGLE-SIDED, RADIUS CORNERS, FLAT BLADE WITH A GREEN BACKGROUND, NO BORDER, WITH 4-INCH WHITE LETTERS, ALL CAPS, AND 2-INCH SUFFIX AND SUPERSCRIPIT TEXT.
3. COLLECTOR AND ARTERIAL STREETS – STREET NAME SIGNS SHALL BE 9-INCH SINGLE-SIDED, RADIUS CORNERS, FLAT BLADES WITH A GREEN BACKGROUND, NO BORDER, 6-INCH WHITE LETTERS, ALL CAPS, AND 4-INCH SUFFIX AND SUPERSCRIPIT TEXT.
4. PRIVATE LOCAL AND NEIGHBORHOOD STREETS – STREET NAME SIGNS SHALL BE 6-INCH SINGLE-SIDED, RADIUS CORNERS, FLAT BLADE WITH A BLUE BACKGROUND, NO BORDER, WITH 4-INCH WHITE LETTERS, ALL CAPS, AND 2-INCH SUFFIX AND SUPERSCRIPIT TEXT, INCLUDING THE 'PVT' DESIGNATION.
5. POSTS SHALL BE 2-INCHES SQUARE AND 12 GAUGE GALVANIZED STEEL (SEE NOTES 9 & 10 FOR LENGTH). ANCHORS SHALL BE 2-1/4 INCH SQUARE, 7 GAUGE GALVANIZED STEEL, 30-INCHES LONG.
6. ALL SIGNS TO BE HI-INTENSITY PRISMATIC. SIGNS AND POSTS SHALL INCLUDE 3/8-INCH DIAMETER DRIVE RIVETS AND SHALL BE INSTALLED BY THE CONTRACTOR.
7. STREET SIGNS SHALL BE INSTALLED A MINIMUM OF THREE FEET (3-FT) AWAY FROM ANY FIRE HYDRANT OR ANY OTHER FIRE SERVICE APPURTENANCES.
8. STREET SIGNS TO BE INSTALLED A MINIMUM OF 2' FROM FACE OF CURB.
9. STREET NAME SIGNS ARE TO BE MOUNTED WITH A MINIMUM CLEARANCE OF 9.5-FT. FROM BOTTOM OF SIGN TO TOP OF CURB OR SIDEWALK.
10. STOP SIGNS ARE TO BE MOUNTED WITH A MINIMUM CLEARANCE OF 7-FT. FROM BOTTOM OF SIGN TO TOP OF CURB OR SIDEWALK.
11. TO THE EXTENT POSSIBLE, STREET NAME SIGNS ARE TO BE LOCATED SUCH THAT THEY WILL NOT BE BLOCKED BY STREET TREES.
12. WITH PRIOR APPROVAL FROM THE CITY, STREET NAMES SIGNS MAY BE MOUNTED TO LIGHT POLES.
13. WHEN REQUIRED, 100 BLOCK DESIGNATIONS WILL BE DETERMINED AT TIME OF DRAFT STREET NAME SIGN SUBMITTALS. 100 BLOCK DESIGNATIONS ARE TO BE MOUNTED AS A SEPARATE COMPONENT OF THE STREET SIGN BLADE, SHALL HAVE 3-INCH TALL WHITE NUMBERS ON GREEN BACKGROUND, AND HAVE RADIUS CORNERS.
14. DRAFT STREET NAME SIGNS TO BE SUBMITTED TO THE CITY FOR APPROVAL, PRIOR TO ORDERING.
15. ALL PRIVATE STREETS SHALL HAVE A TOWING SERVICE SIGN THAT INCLUDES THE TOWING SERVICE COMPANY NAME AND PHONE NUMBER.

PAVEMENT MARKING CONSTRUCTION NOTES:

1. PAVEMENT MARKINGS SHALL BE FURNISHED AND INSTALLED IN ACCORDANCE WITH THE MOST RECENTLY ADOPTED EDITION OF THE WSDOT STANDARD SPECIFICATIONS SECTION 8-22, AND THE LATEST EDITION OF THE MANUAL ON UNIFORM TRAFFIC CONTROL DEVICES (MUTCD).
2. THE CONTRACTOR SHALL BE RESPONSIBLE FOR REMOVAL OF EXISTING STRIPE AND INSTALLATION OF ALL NEW STRIPING. ANY REMOVAL OF EXISTING STRIPING SHALL BE DETERMINED IN THE FIELD AND IS CONSIDERED INCIDENTAL WORK. METHOD OF STRIPING REMOVAL TO BE APPROVED BY ENGINEERING AND OPERATIONS.
3. RAISED PAVEMENT MARKERS SHALL BE OF MATERIAL AND DIMENSIONS IN ACCORDANCE WITH THE MOST RECENTLY ADOPTED EDITION OF THE WSDOT STANDARD SPECIFICATIONS SECTION 8-09 AND 9-21.



STREET DETAIL

STREET NAME SIGN AND PAVEMENT MARKING NOTES

Jim P. Coarthen 3-24-22
 DETAIL APPROVED BY DATE

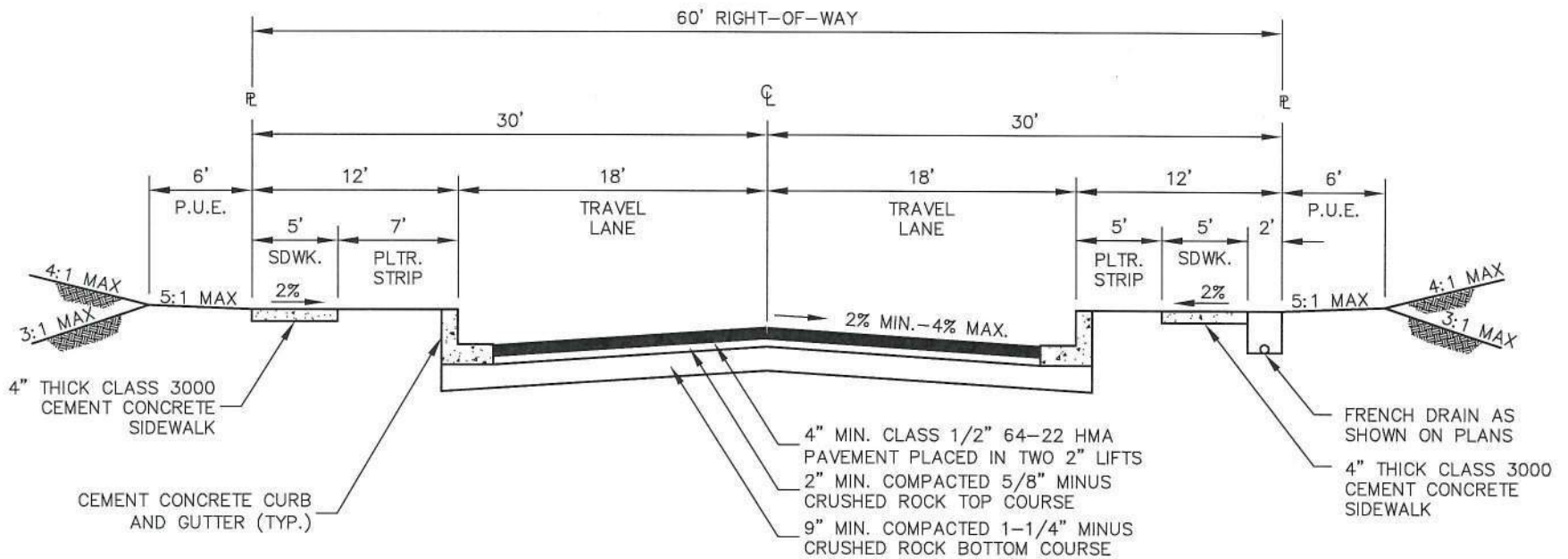
NOT TO SCALE

DETAIL NO.

ST1A

REVISION: 2 DATE: 03/22/2022

ST-NOTES.DWG



NOTES:

1. STREET SECTION DEPTHS SHOWN ARE ABSOLUTE MINIMUMS.
2. CROSS-SLOPE APPLIES TO CROWN OR SHED STREETS.



STREET DETAIL
2 LANE LOCAL (60' R.O.W.)

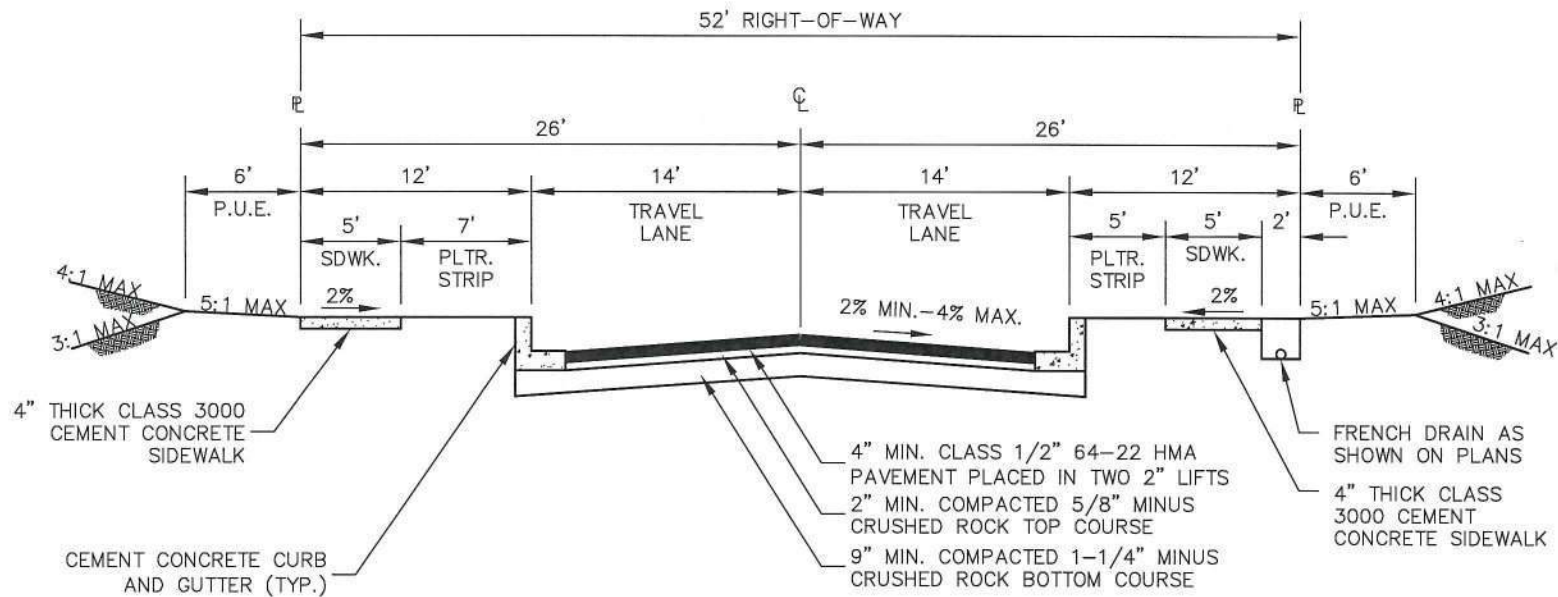
DETAIL APPROVED BY *[Signature]* DATE 7-20-18

NOT TO SCALE

DETAIL NO.

ST2

REVISION: 5 DATE: 7/17/2018



NOTES:

1. STREET SECTION DEPTHS SHOWN ARE ABSOLUTE MINIMUMS.
2. CROSS-SLOPE APPLIES TO CROWN OR SHED STREETS.
3. PARKING ONLY ALLOWED ON ONE SIDE OF THE STREET.



STREET DETAIL
 2 LANE LOCAL/SPRINKLERED (52' R.O.W.)

DETAIL APPROVED BY *[Signature]* DATE 7-20-18

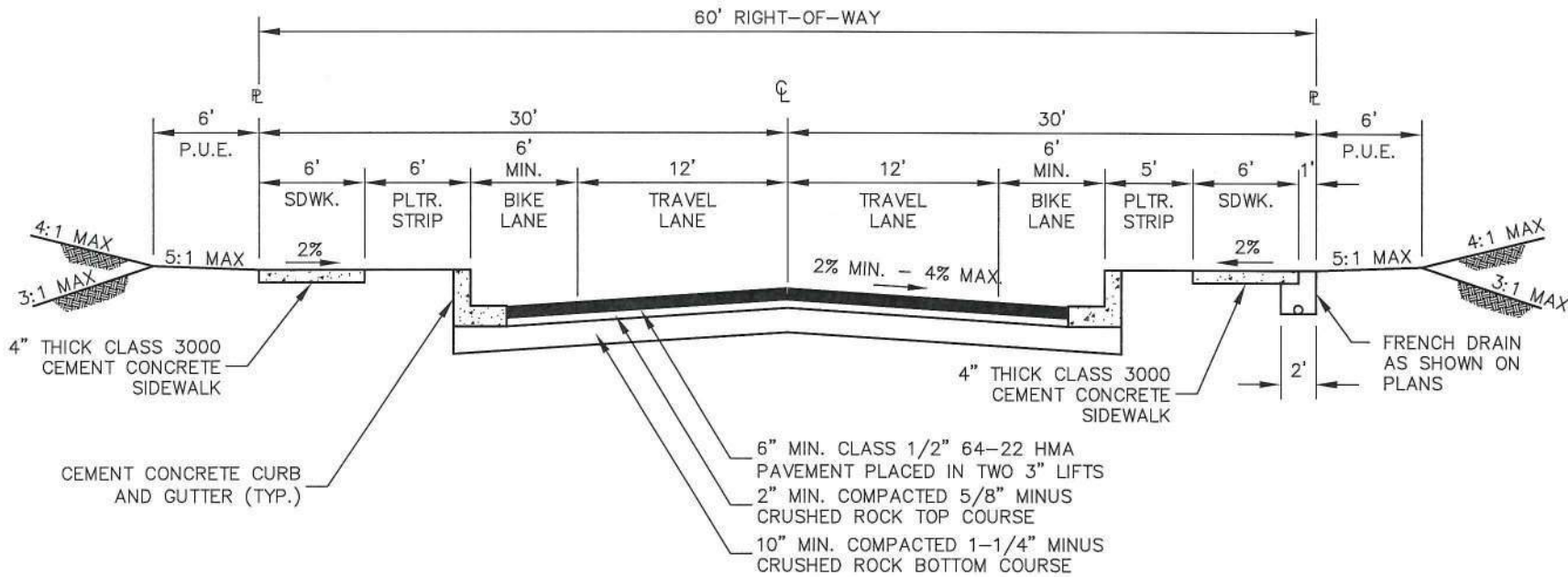
NOT TO SCALE

DETAIL NO.

ST3

REVISION: 5 DATE: 7/17/2018

ST-SECTIONS 2018.DWG



NOTES:

1. STREET SECTION DEPTHS SHOWN ARE ABSOLUTE MINIMUMS. ALL STREET SECTION DIMENSIONS TO BE CALCULATED BASED ON THE SITE SOIL CONDITIONS BY A LICENSED STATE OF WASHINGTON ENGINEER.
2. CROSS-SLOPE APPLIES TO CROWN OR SHED STREETS.
3. LEFT TURN LANES ARE REQUIRED AT INTERSECTIONS.
4. MINIMUM CURB RETURN RADIUS SHALL BE 35'.
5. NO PARKING, MARGINAL ACCESS STREET, NO NEW RESIDENTIAL DRIVEWAYS ALLOWED.



STREET DETAIL
 2 LANE COLLECTOR/ARTERIAL (60' R.O.W.)

DETAIL APPROVED BY *Jan P. Coe* DATE 7-20-18

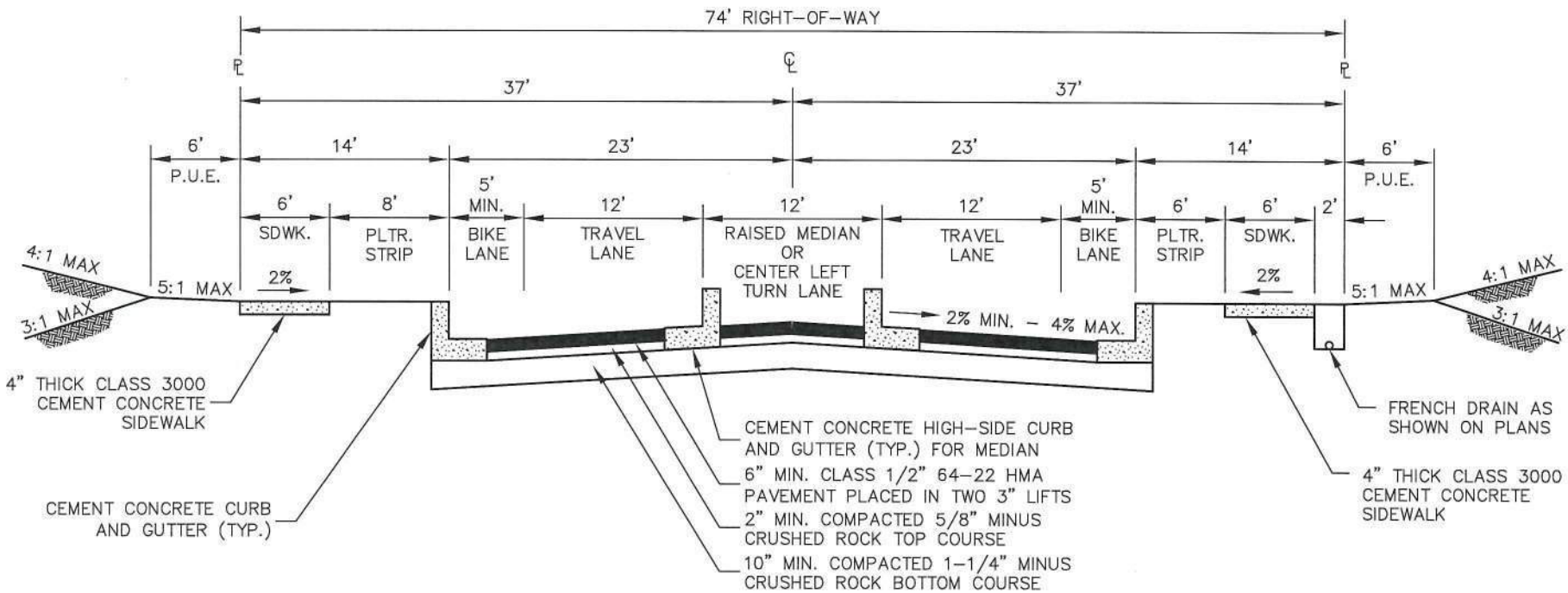
NOT TO SCALE

DETAIL NO.

ST4

REVISION: 5 DATE: 7/17/2018

ST-SECTIONS 2018.DWG



NOTES:

1. STREET SECTION DEPTHS SHOWN ARE ABSOLUTE MINIMUMS. ALL STREET SECTION DIMENSIONS TO BE CALCULATED BASED ON THE SITE SOIL CONDITIONS BY A LICENSED STATE OF WASHINGTON ENGINEER.
2. CROSS-SLOPE APPLIES TO CROWN OR SHED STREETS.
3. MINIMUM CURB RETURN RADIUS SHALL BE 35'.



STREET DETAIL
3 LANE COLLECTOR/ARTERIAL (74' R.O.W.)

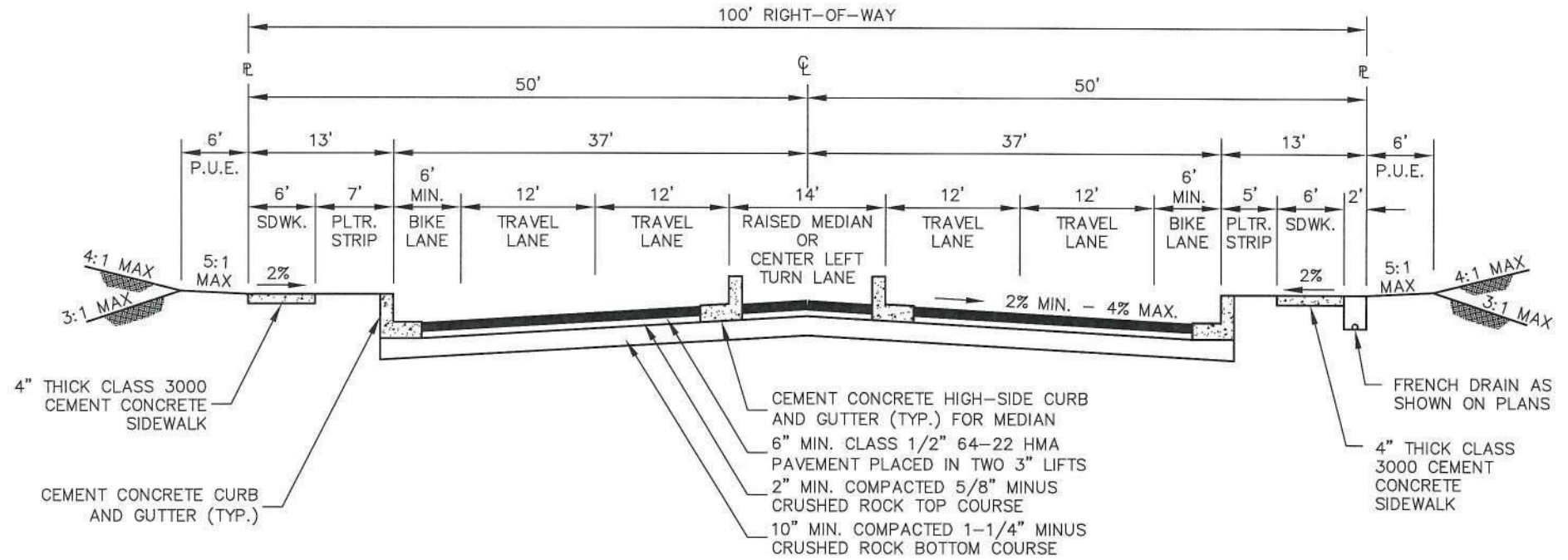
Jan E. Coathran 7-20-18
 DETAIL APPROVED BY DATE

NOT TO SCALE

DETAIL NO.

ST5

REVISION: 6 DATE: 7/17/2018



NOTES:

1. STREET SECTION DEPTHS SHOWN ARE ABSOLUTE MINIMUMS. ALL STREET SECTION DIMENSIONS TO BE CALCULATED BASED ON THE SITE SOIL CONDITIONS BY A LICENSED STATE OF WASHINGTON ENGINEER.
2. CROSS-SLOPE APPLIES TO CROWN OR SHED STREETS.
3. MINIMUM CURB RETURN RADIUS SHALL BE 50'.



STREET DETAIL
5 LANE ARTERIAL (100' R.O.W.)

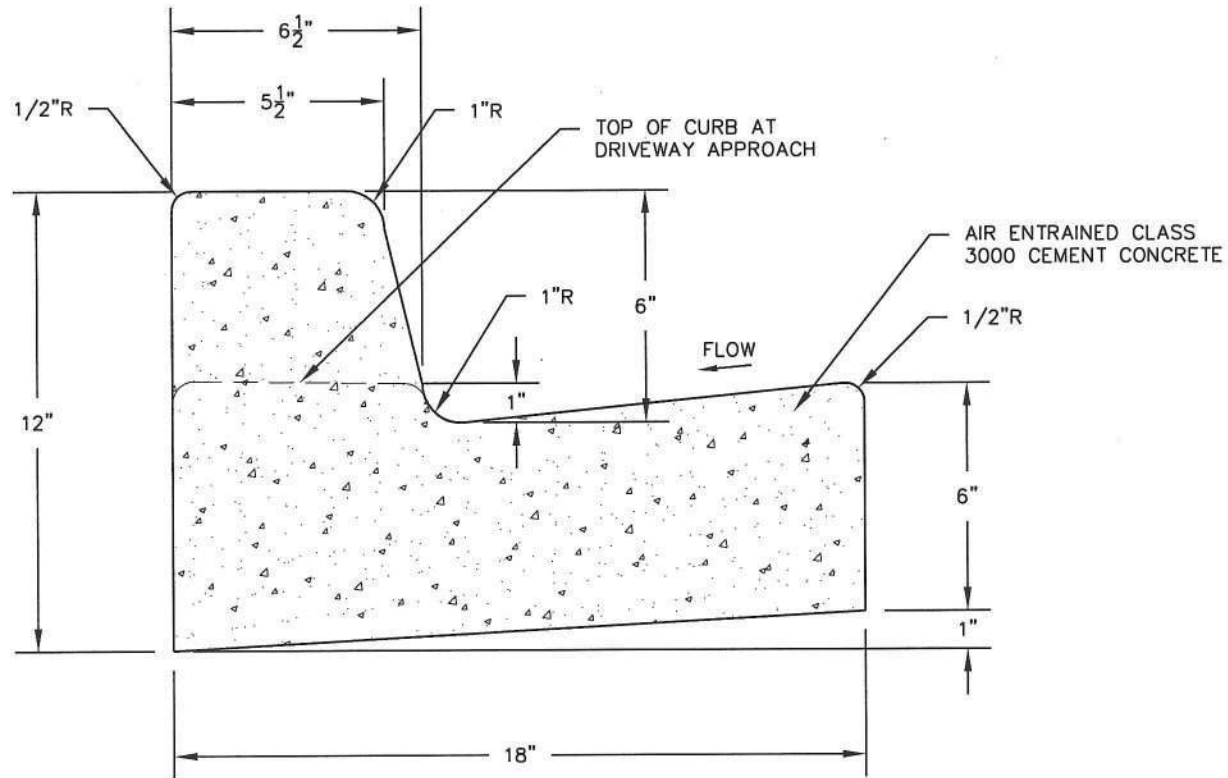
Jan E. Christen 7-20-18
 DETAIL APPROVED BY DATE

NOT TO SCALE DETAIL NO.

ST6

REVISION: 4 DATE: 7/17/2018

ST-SECTIONS 2018.DWG



NOTES:

1. THERE SHALL BE EXPANSION JOINTS EVERY 45' & FALSE JOINTS EVERY 15'
2. STAMP A "W" OR "S" IN FACE OF CURB AT WATER AND SEWER SERVICE LOCATIONS.
3. SEE HIGH SIDE TRAFFIC CURB & GUTTER DETAIL FOR SHED SECTIONS.
4. SEE CURB TRANSITION DETAIL FOR TRANSITION TO TRAFFIC CURB OR ROLLED TRAFFIC CURB AND GUTTER

REV. NO.	DATE	BY	APPR.
1	9/18/07	SCD	JC
2	9/18/07	SCD	JC
3	1/1/11	SCD	JC



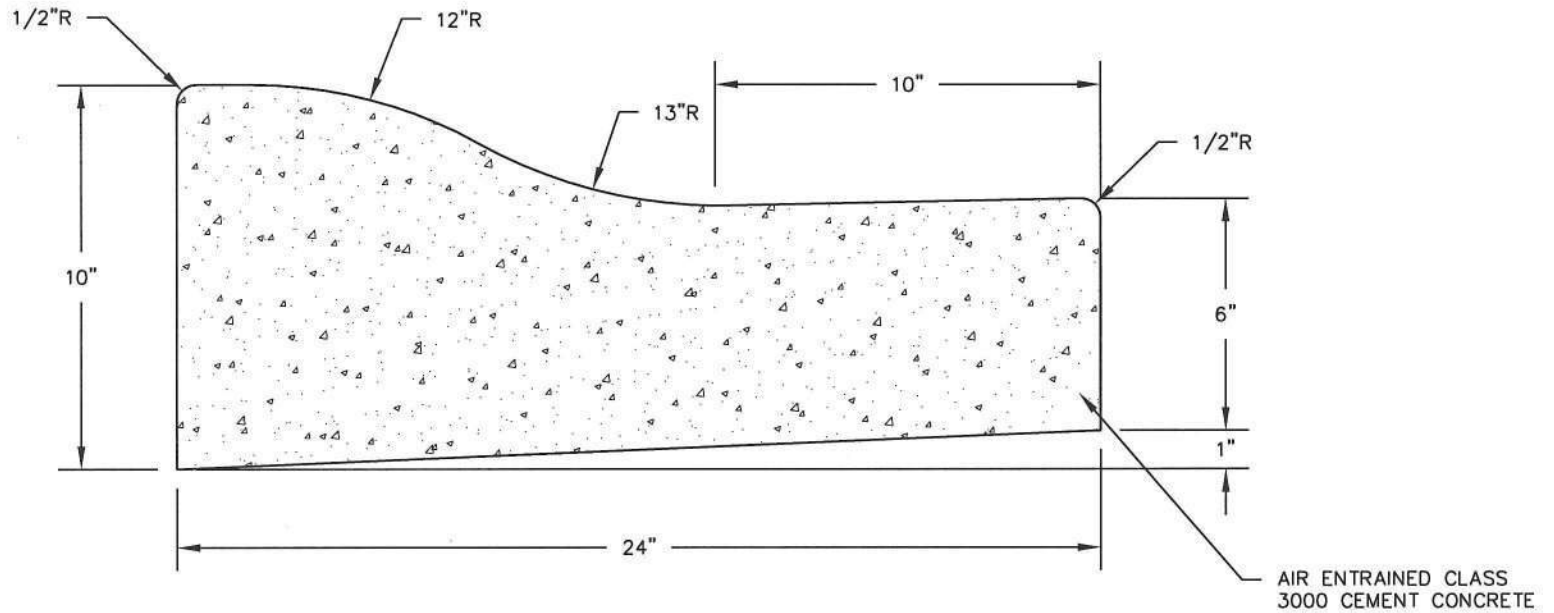
**CITY OF CAMAS ~ STREET DETAIL
TRAFFIC CURB AND GUTTER**

Jan P. Cuthbert 1-4-11
DETAIL APPROVED BY DATE

NOT TO SCALE

DETAIL NO.

ST7



NOTES:

1. THERE SHALL BE EXPANSION JOINTS EVERY 45' & FALSE JOINTS EVERY 15'
2. STAMP A "W" OR "S" IN FACE OF CURB AT WATER AND SEWER SERVICE LOCATIONS.
3. ROLLED CURB AND GUTTER ALLOWED ON NARROW FRONTAGES AND AT THE DISCRETION OF THE CITY ENGINEER.
4. WHEN ATTACHED SIDEWALKS ARE INSTALLED WITH A ROLLED CURB AND GUTTER, THICKENED SIDEWALKS (6" MIN.) SHALL BE CONSTRUCTED.
5. SEE CURB TRANSITION DETAIL FOR TRANSITION TO TRAFFIC CURB AND GUTTER

REV. NO.	DATE	BY	APPR.
1	9/18/07	SCD	JC
2	9/18/07	SCD	JC
3	1/1/11	SCD	JC



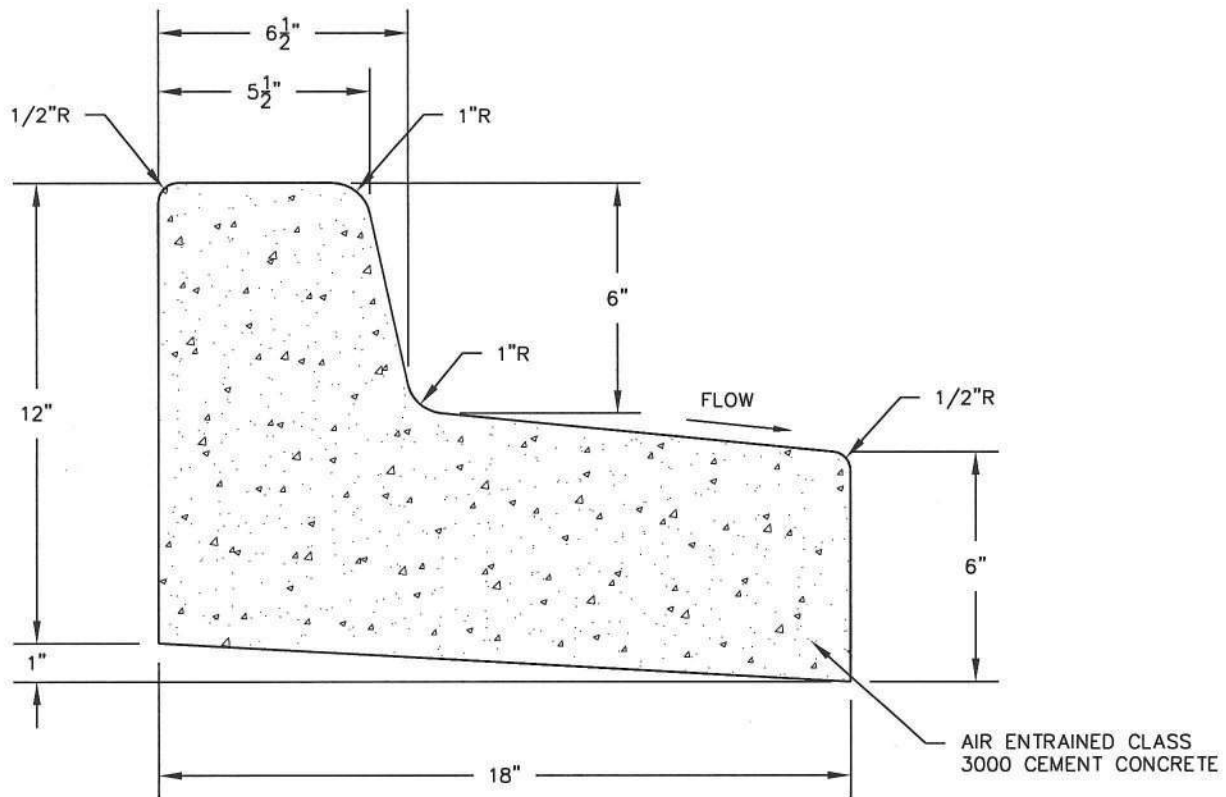
CITY OF CAMAS ~ STREET DETAIL
 ROLLED TRAFFIC CURB AND GUTTER

Jan C. Caruth 1-4-11
 DETAIL APPROVED BY DATE

NOT TO SCALE

DETAIL NO.

ST8



NOTES:

1. THERE SHALL BE EXPANSION JOINTS EVERY 45' & FALSE JOINTS EVERY 15'
2. STAMP A "W" OR "S" IN FACE OF CURB AT WATER AND SEWER SERVICE LOCATIONS.
3. SEE TRAFFIC CURB & GUTTER DETAIL FOR CROWN SECTIONS.

REV. NO.	DATE	BY	APPR.
1	5/1/07	SCD	JC
2	1/1/11	SCD	JC



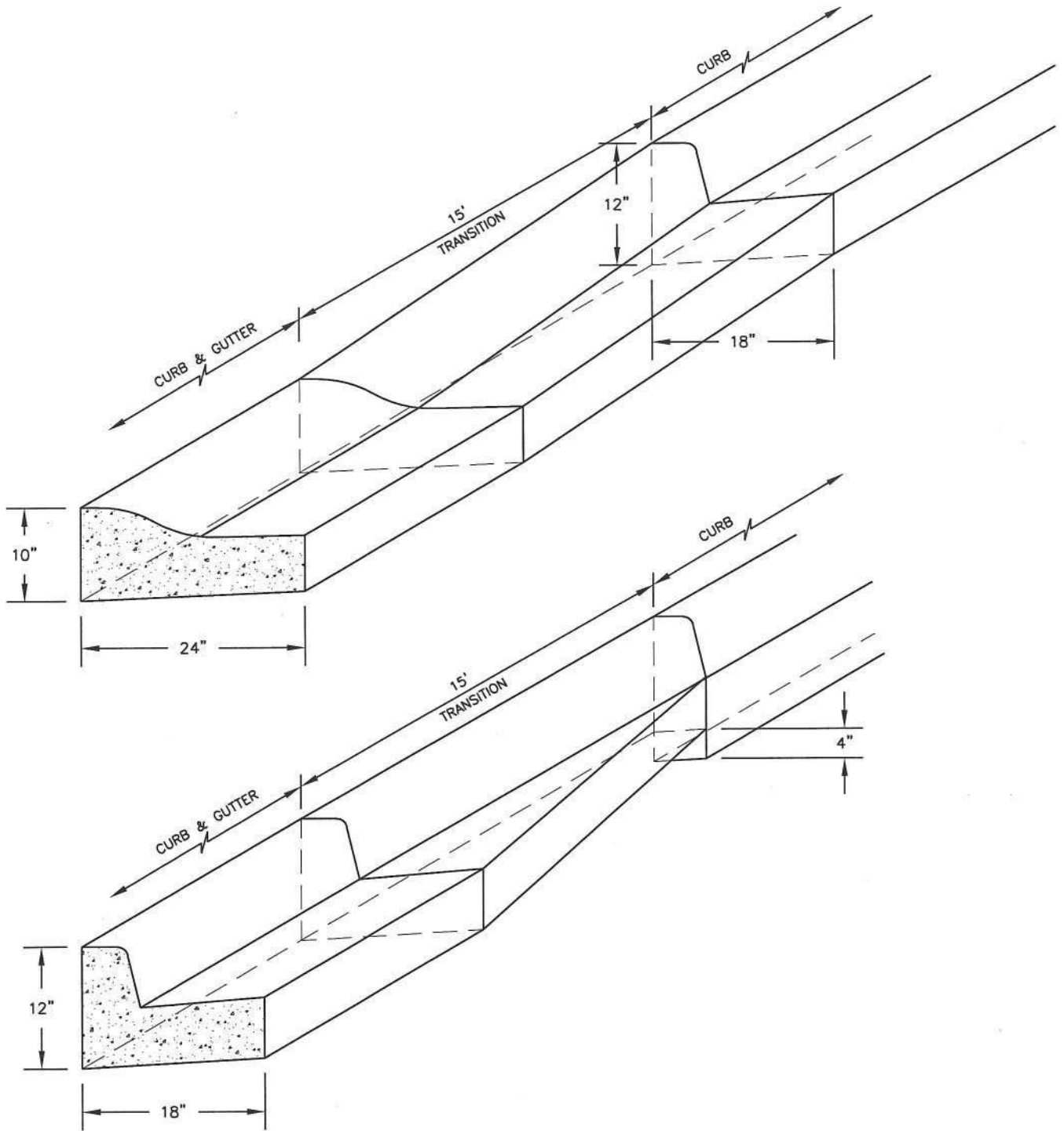
**CITY OF CAMAS ~ STREET DETAIL
HIGH SIDE TRAFFIC CURB AND GUTTER**

Jim P. Coathran 1-4-11
 DETAIL APPROVED BY DATE

NOT TO SCALE

DETAIL NO.

ST9



REV. NO.	DATE	BY	APPR.
1	5/1/07	SCD	JC
2	9/18/07	SCD	JC
3	1/1/11	SCD	JC

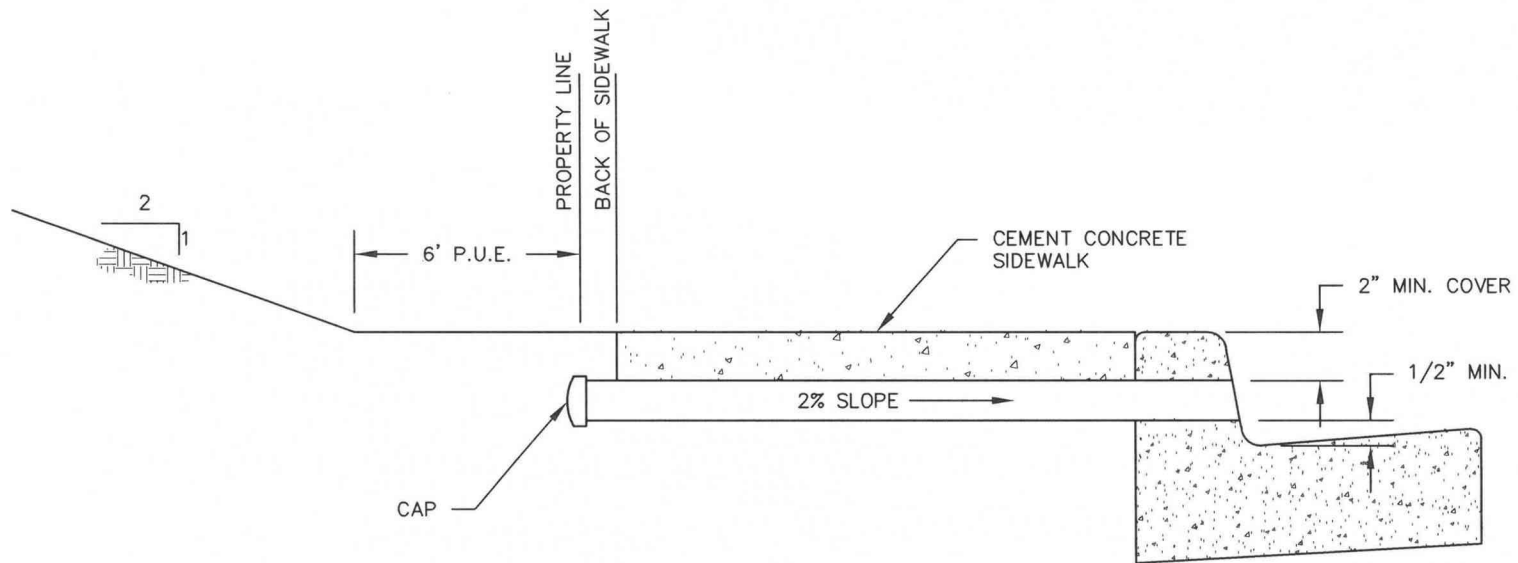


CITY OF CAMAS ~ STREET DETAIL
 TRAFFIC CURB AND GUTTER TRANSITIONS

Jan P. Cauffman 1-4-11
 DETAIL APPROVED BY DATE

NOT TO SCALE

DETAIL NO.
 ST10



NOTES:

1. DRAINS PIPE REQUIRED FOR LOTS ABOVE GRADE.
2. FOR LOTS ON HIGH-SIDE OF SHED STREETS, ROOF AND FOOTING DRAINS SHALL BE CONNECTED BY TIGHT-LINE TO STORM MAIN.
3. ONE 3" DRAIN REQUIRED PER LOT UNLESS 4" DRAIN FOR LOTS BELOW GRADE IS PROVIDED.
4. DRAINS ARE TO BE LOCATED NEAR THE LOT CORNER WITH THE LOWEST ELEVATION AT FINISHED GRADE OR AS STAKED BY ENGINEER.
5. DRAINS TO BE INSTALLED ON CROWNED STREETS ONLY.
6. WEEP HOLES NOT PERMITTED ON ROLLED CURB.



STREET DETAIL
DRAINAGE WEEP HOLE (LOTS ABOVE GRADE)

DETAIL APPROVED BY *Jan P. Carother* 3-24-22
DATE

NOT TO SCALE

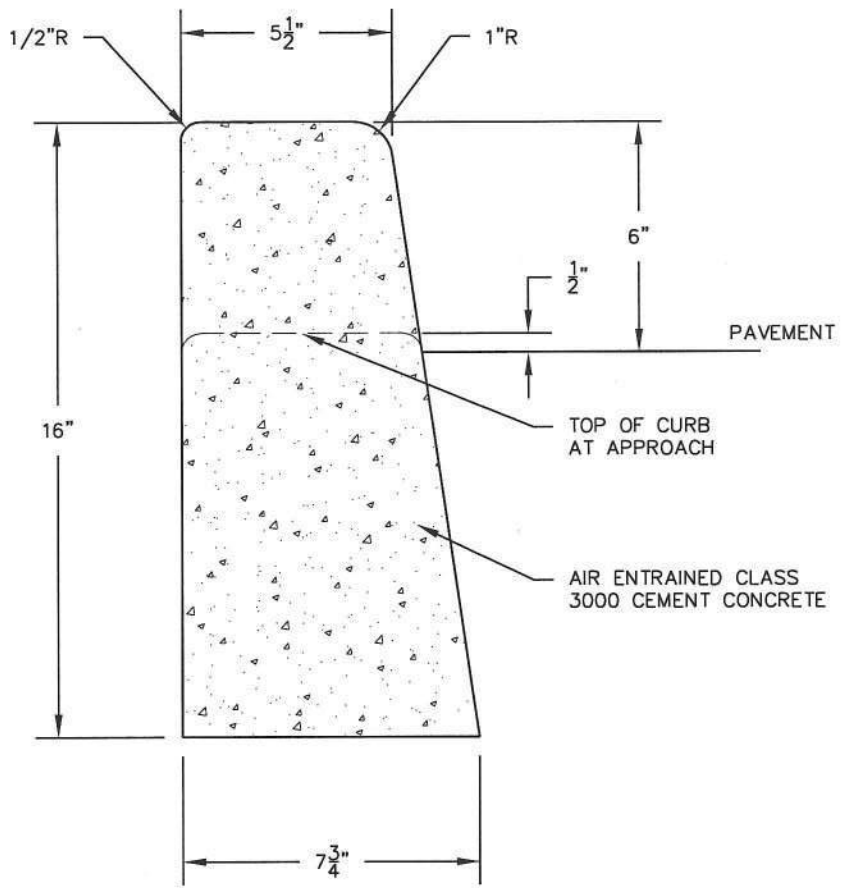
DETAIL NO.

ST11

REVISION: 3

DATE: 03/22/2022

ST-CURBS.DWG



NOTES:

1. THERE SHALL BE EXPANSION JOINTS EVERY 45' & FALSE JOINTS EVERY 15'
2. STAMP A "W" OR "S" IN FACE OF CURB AT WATER AND SEWER SERVICE LOCATIONS.
3. SEE CURB TRANSITION DETAIL FOR TRANSITION TO TRAFFIC CURB & GUTTER

REV. NO.	DATE	BY	APPR.
1	5/1/07	SCD	JC
2	9/18/07	SCD	JC
3	1/1/11	SCD	JC



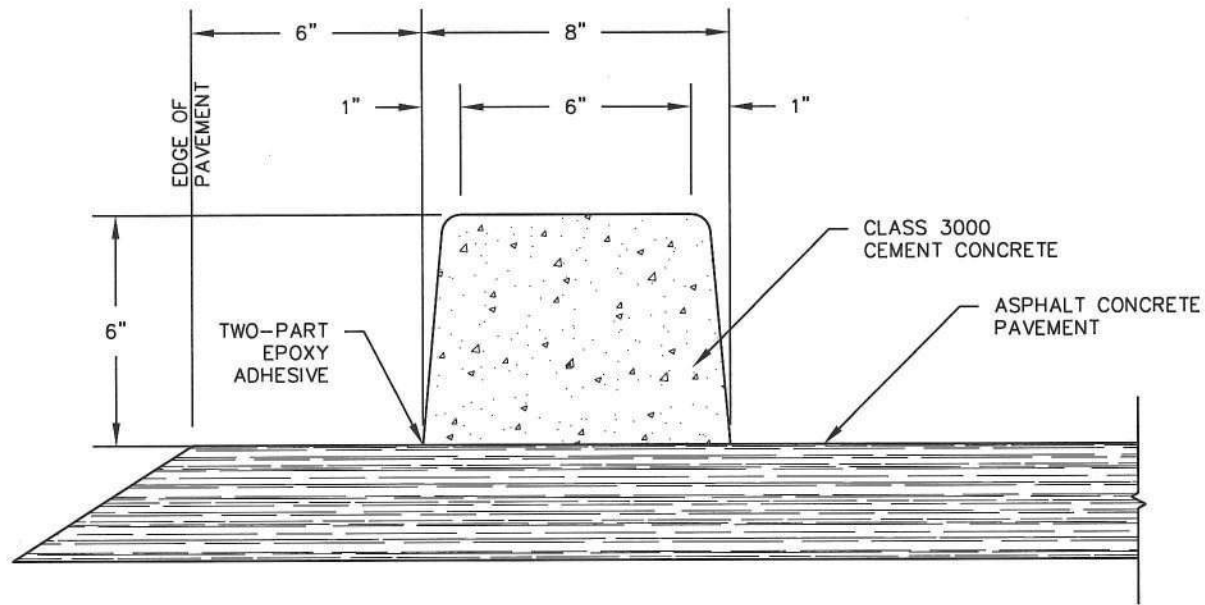
CITY OF CAMAS ~ STREET DETAIL
TRAFFIC CURB

James P. Coe 1-4-11
DETAIL APPROVED BY DATE

NOT TO SCALE

DETAIL NO.
ST12

ST-CURBS.DWG



REV. NO.	DATE	BY	APPR.
1	5/1/07	SCD	JC
2	1/1/11	SCD	JC



CITY OF CAMAS ~ STREET DETAIL
EXTRUDED CURB

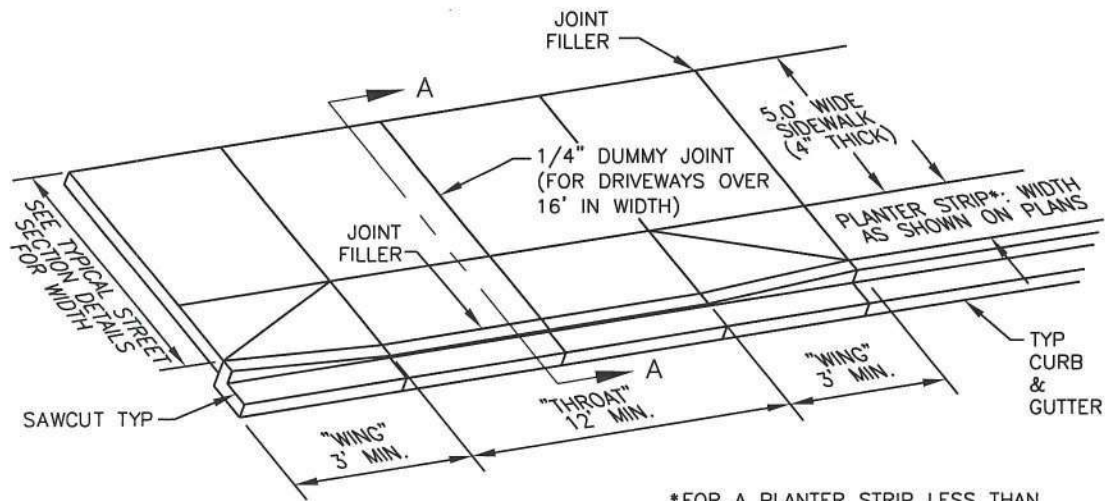
John P. Coulter 1-4-11
DETAIL APPROVED BY DATE

NOT TO SCALE

DETAIL NO.

ST13

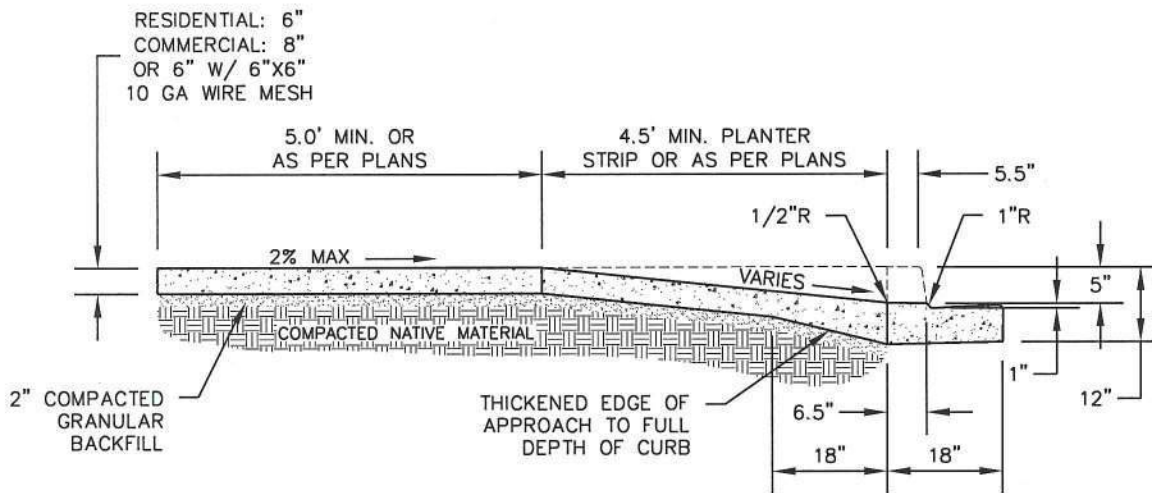
ST-CURBS.DWG



*FOR A PLANTER STRIP LESS THAN 4.5' WIDE, SEE NOTE 8

NOTES:

1. COMPACTION SHALL BE 95% OF T-180.
2. CONCRETE SURFACE SHALL BE TROWELED SMOOTH & HAIR BROOMED.
3. PROVIDE A WEAKENED PLANE JOINT OF 2" MIN. DEPTH AND 1/8" MAX. WIDTH IN THE MIDDLE OF THE DRIVEWAY APPROACH AND GUTTER.
4. ON MONOLITHIC CURB, GUTTER AND SIDEWALK INSTALL WEAKENED PLANE JOINTS AT EDGES OF DRIVEWAY.
5. MAX. DRIVEWAY THROAT WIDTH = 20' FOR TWO-CAR GARAGE & 30' FOR THREE-CAR GARAGE; PROVIDING THAT DRIVEWAY THROAT WIDTH DOES NOT EXCEED 40% OF TOTAL LOT FRONTAGE. THE WIDTH FOR DRIVEWAYS ACCESSING A LIMITED ACCESS ROADWAY WILL BE DETERMINED BY THE CITY ENGINEER.
6. CEMENT CONCRETE APPROACHES SHALL BE CONSTRUCTED OF AIR-ENTRAINED CONCRETE CLASS 3000 AND MAY BE POURED INTEGRAL WITH CURB. APPROACH THROAT AND WINGS SHALL BE 6" THICK AS SHOWN IN SECTION "A-A".
7. DRIVEWAY DROPS SHALL NOT BE USED AS ADA CURB RAMPS. SEE CURB RAMP DETAILS.
8. AT THE DISCRETION OF THE CITY ENGINEER, DETAIL ST15 MAY BE USED WHERE PLANTER IS STRIP LESS THAN 4.5' WIDE WITH WINGS ALLOWED TO BE 3' TO 6' WIDE PROVIDED THAT SIDEWALK SLOPES ARE HELD.
9. FOR DRIVEWAY ON ROLLED CURB, SEE DETAIL ST16, NOTE 7.



SECTION "A-A"

REV. NO.	DATE	BY	APPR.
1	5/1/07	SCD	JC
2	9/18/07	SCD	JC
3	2/1/10	SCD	JC
4	1/1/11	SCD	JC



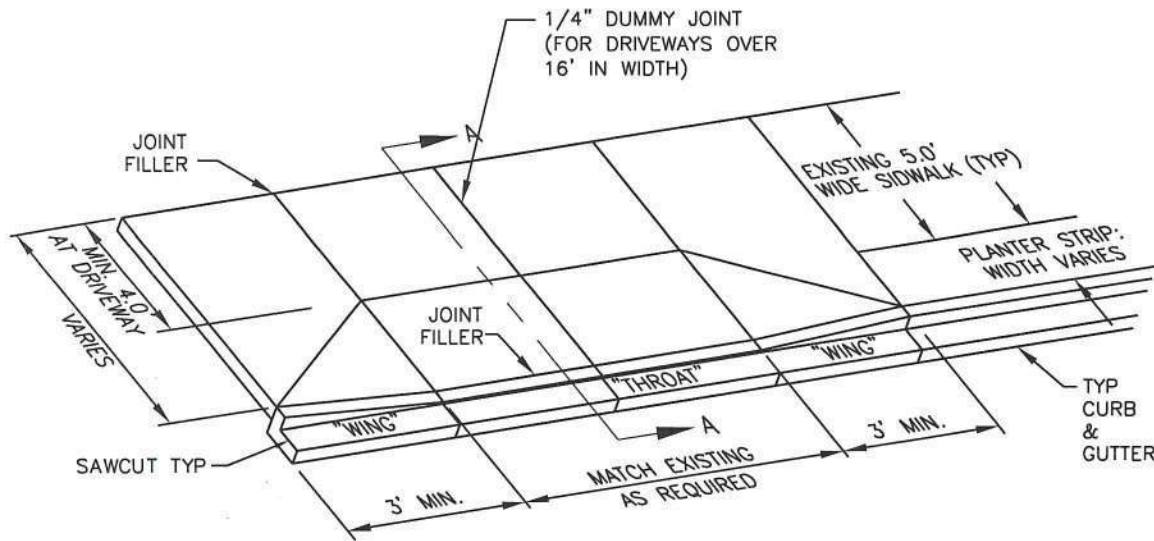
CITY OF CAMAS ~ STREET DETAIL
DRIVEWAY/SIDEWALK WITH PLANTER

Jan E. Crothers 1-4-11
DETAIL APPROVED BY DATE

DETAIL NO.

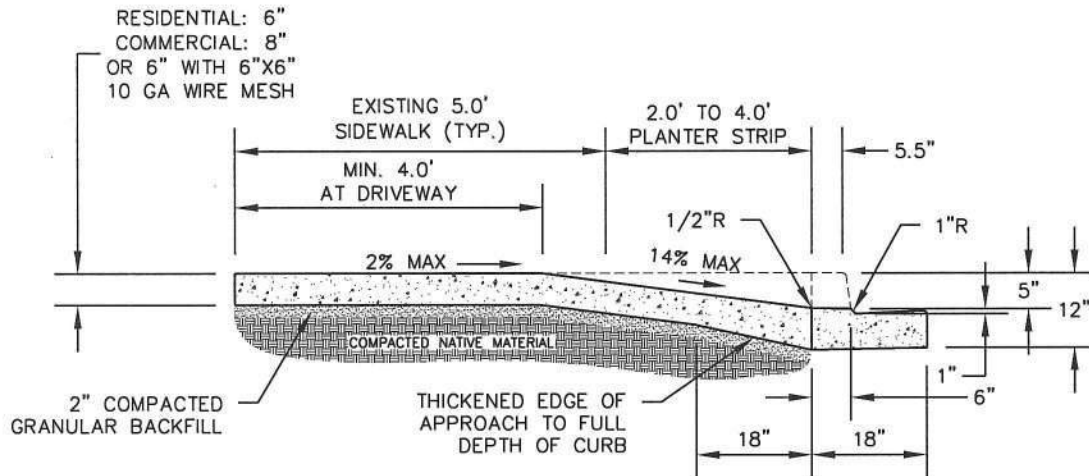
ST14

NOT TO SCALE



NOTES:

1. COMPACTION SHALL BE 95% OF T-180.
2. CONCRETE SURFACE SHALL BE TROWELED SMOOTH & HAIR BROOMED.
3. PROVIDE A WEAKENED PLANE JOINT OF 2" MIN. DEPTH AND 1/8" MAX. WIDTH IN THE MIDDLE OF THE DRIVEWAY APPROACH AND GUTTER.
4. ON MONOLITHIC CURB, GUTTER AND SIDEWALK INSTALL WEAKENED PLANE JOINTS AT EDGES OF DRIVEWAY.
5. MAX. DRIVEWAY THROAT WIDTH = 20' FOR TWO-CAR GARAGE & 30' FOR THREE-CAR GARAGE; PROVIDING THAT DRIVEWAY THROAT WIDTH DOES NOT EXCEED 40% OF TOTAL LOT FRONTAGE. THE WIDTH FOR DRIVEWAYS ACCESSING A LIMITED ACCESS ROADWAY WILL BE DETERMINED BY THE CITY ENGINEER.
6. CEMENT CONCRETE APPROACHES SHALL BE CONSTRUCTED OF AIR-ENTRAINED CONCRETE CLASS 3000 AND MAY BE POURED INTEGRAL WITH CURB. APPROACH THROAT AND WINGS SHALL BE 6" THICK AS SHOWN IN SECTION "A-A".
7. DRIVEWAY DROPS SHALL NOT BE USED AS ADA CURB RAMPS. SEE CURB RAMP DETAILS.
8. AT THE DISCRETION OF THE CITY ENGINEER, THIS DETAIL MAY BE USED WHERE PLANTER STRIP IS LESS THAN 4.5' WIDE WITH WINGS ALLOWED TO BE 3' TO 6' PROVIDED THAT SIDEWALK SLOPES ARE HELD.
9. FOR DRIVEWAY ON ROLLED CURB, SEE DETAIL ST16, NOTE 7.



SECTION "A-A"

REV. NO.	DATE	BY	APPR.
1	9/18/07	SCD	JC
2	2/1/10	SCD	JC
3	1/1/11	SCD	JC



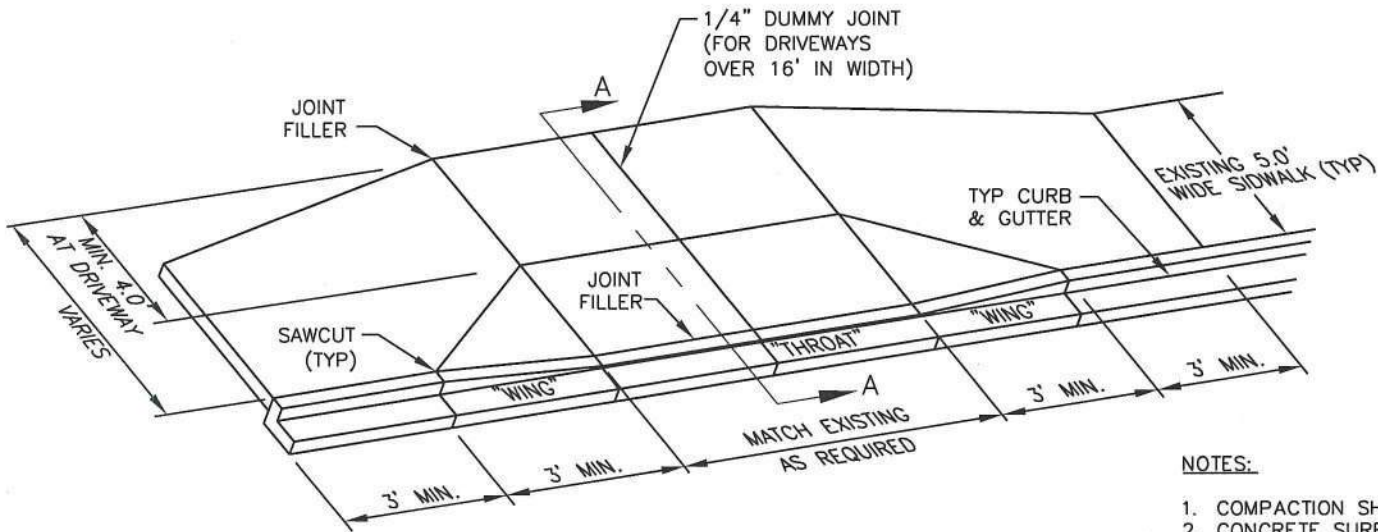
**CITY OF CAMAS ~ STREET DETAIL
RETRO-FIT DRIVEWAY/SIDEWALK WITH PLANTER**

Jan P. Cawthon 1-4-11
DETAIL APPROVED BY DATE

DETAIL NO.

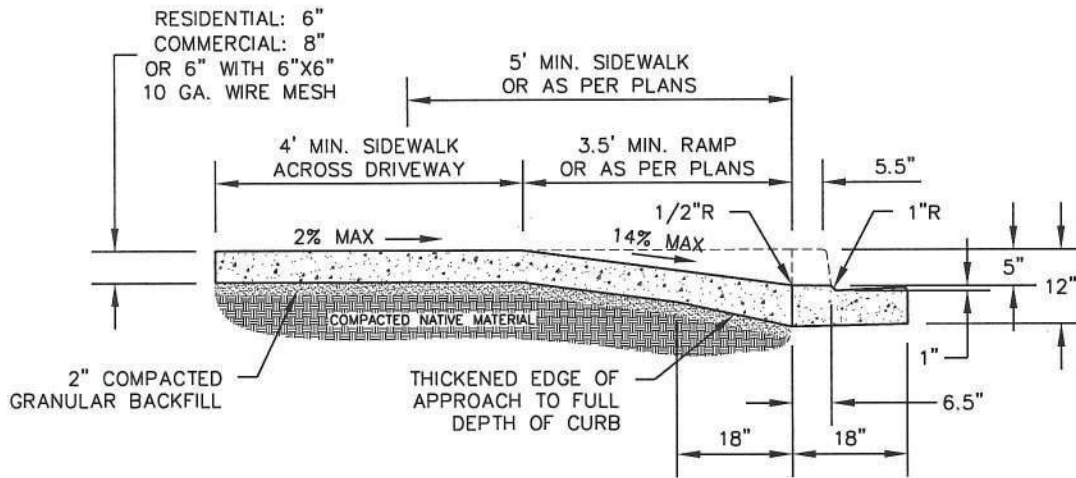
ST15

NOT TO SCALE



NOTES:

1. COMPACTION SHALL BE 95% OF T-180.
2. CONCRETE SURFACE SHALL BE TROWELED SMOOTH & HAIR BROOMED.
3. PROVIDE A WEAKENED PLANE JOINT OF 2" MIN. DEPTH AND 1/8" MAX. WIDTH IN THE MIDDLE OF THE DRIVEWAY APPROACH AND GUTTER.
4. ON MONOLITHIC CURB, GUTTER AND SIDEWALK INSTALL WEAKENED PLANE JOINTS AT EDGES OF DRIVEWAY.
5. MAX. DRIVEWAY THROAT WIDTH = 20' FOR TWO-CAR GARAGE & 30' FOR THREE-CAR GARAGE; PROVIDING THAT DRIVEWAY THROAT WIDTH DOES NOT EXCEED 40% OF TOTAL LOT FRONTAGE. THE WIDTH FOR DRIVEWAYS ACCESSING A LIMITED ACCESS ROADWAY WILL BE DETERMINED BY THE CITY ENGINEER.
6. CEMENT CONCRETE APPROACHES SHALL BE CONSTRUCTED OF AIR-ENTRAINED CONCRETE CLASS 3000 AND MAY BE POURED INTEGRAL WITH CURB. APPROACH THROAT AND WINGS SHALL BE 6" THICK AS SHOWN IN SECTION "A-A".
7. DRIVEWAY DROPS SHALL NOT BE USED AS ADA CURB RAMPS. SEE CURB RAMP DETAILS.
8. AT THE DISCRETION OF THE CITY ENGINEER, THIS DETAIL MAY BE USED WHERE PLANTER STRIP IS LESS THAN 4.5' WIDE WITH WINGS ALLOWED TO BE 3' TO 6' PROVIDED THAT SIDEWALK SLOPES ARE HELD.
9. FOR DRIVEWAY ON ROLLED CURB, SEE DETAIL ST16, NOTE 7.



SECTION "A-A"

REV. NO.	DATE	BY	APPR.
1	10/19/07	SCD	JC
2	2/1/10	SCD	JC
3	1/1/11	SCD	JC



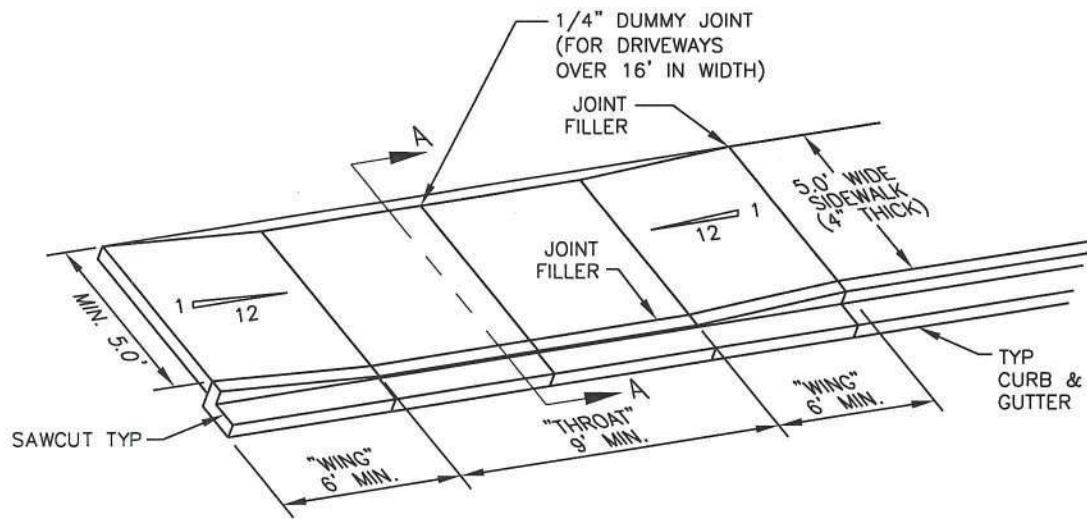
CITY OF CAMAS ~ STREET DETAIL
RETRO-FIT DRIVEWAY/SIDEWALK WITHOUT PLANTER

Jan P. Carthage 1-4-11
DETAIL APPROVED BY DATE

NOT TO SCALE

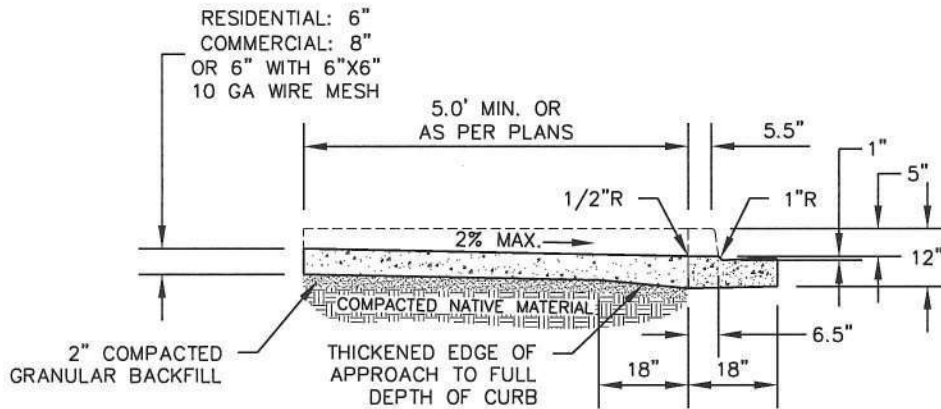
DETAIL NO.

ST16



NOTES:

1. COMPACTION SHALL BE 95% OF T-180.
2. CONCRETE SURFACE SHALL BE TROWELED SMOOTH & HAIR BROOMED.
3. PROVIDE A WEAKENED PLANE JOINT OF 2" MIN. DEPTH AND 1/8" MAX. WIDTH IN THE MIDDLE OF THE DRIVEWAY APPROACH AND GUTTER.
4. ON MONOLITHIC CURB, GUTTER AND SIDEWALK INSTALL WEAKENED PLANE JOINTS AT EDGES OF DRIVEWAY.
5. MAX. DRIVEWAY THROAT WIDTH = 20' FOR TWO-CAR GARAGE & 30' FOR THREE-CAR GARAGE; PROVIDING THAT DRIVEWAY THROAT WIDTH DOES NOT EXCEED 40% OF TOTAL LOT FRONTAGE. THE WIDTH FOR DRIVEWAYS ACCESSING A LIMITED ACCESS ROADWAY WILL BE DETERMINED BY THE CITY ENGINEER.
6. CEMENT CONCRETE APPROACHES SHALL BE CONSTRUCTED OF AIR-ENTRAINED CONCRETE CLASS 3000 AND MAY BE POURED INTEGRAL WITH CURB. APPROACH THROAT AND WINGS SHALL BE 6" THICK AS SHOWN IN SECTION "A-A".
7. DRIVEWAY DROPS SHALL NOT BE USED AS ADA CURB RAMPS. SEE CURB RAMP DETAILS.
8. AT THE DISCRETION OF THE CITY ENGINEER, THIS DETAIL MAY BE USED WHERE PLANTER STRIP IS LESS THAN 4.5' WIDE. WINGS SHALL BE 6' PROVIDED THAT SIDEWALK SLOPES ARE HELD.
9. FOR DRIVEWAY ON ROLLED CURB, SEE DETAIL ST16, NOTE 7.



SECTION "A-A"

REV. NO.	DATE	BY	APPR.
1	5/1/07	SCD	JC
2	9/18/07	SCD	JC
3	2/1/10	SCD	JC
4	1/1/11	SCD	JC



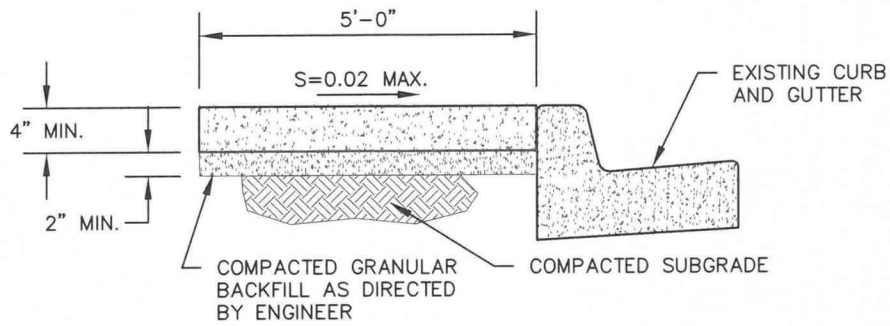
**CITY OF CAMAS ~ STREET DETAIL
DRIVEWAY/SIDEWALK WITHOUT PLANTER**

Don P. Crother 1-4-11
DETAIL APPROVED BY DATE

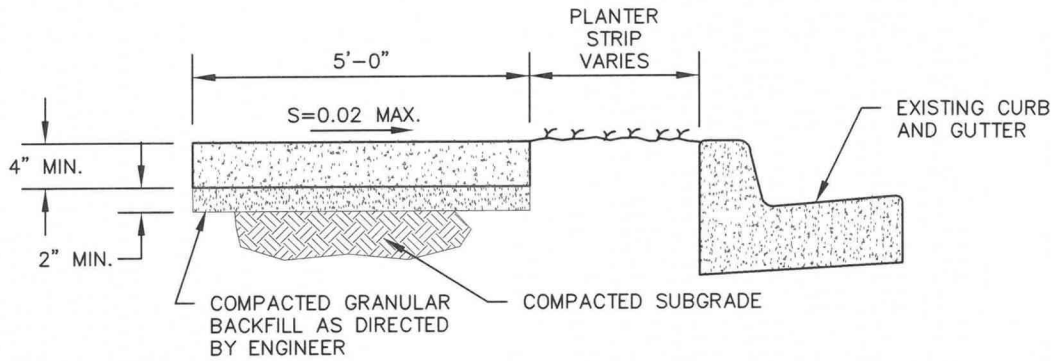
NOT TO SCALE

DETAIL NO.

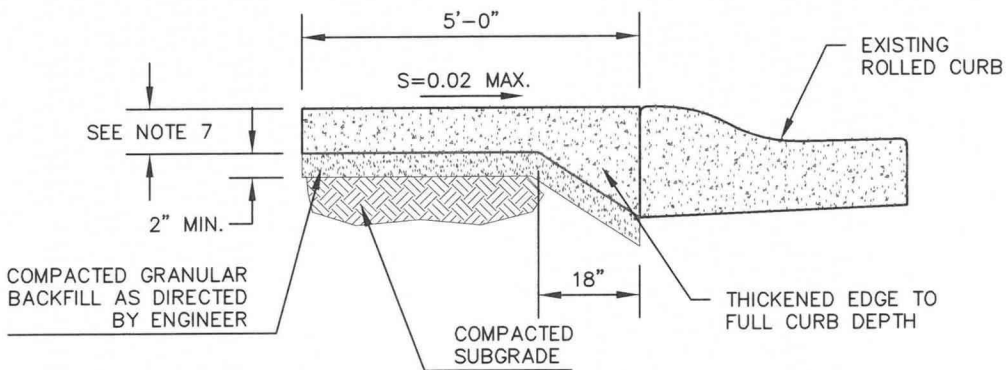
ST17



SITUATION A



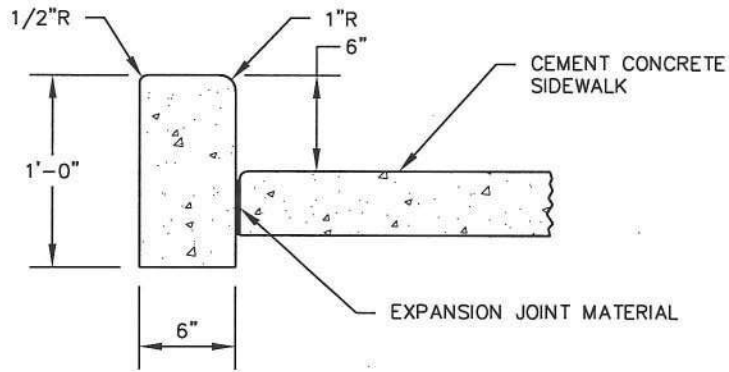
SITUATION B



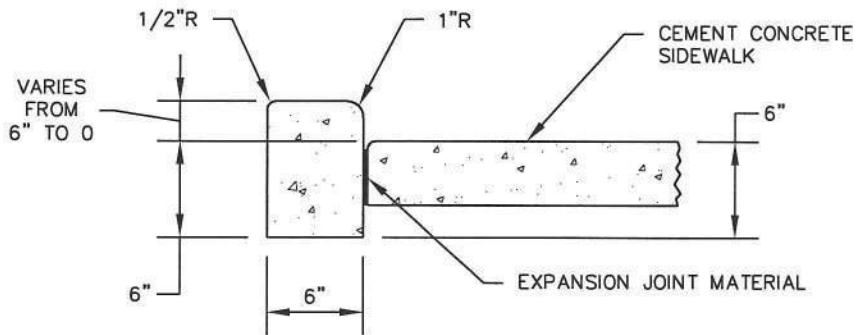
SITUATION C

NOTES:

1. NOTIFY CITY INSPECTOR 24 HOURS PRIOR TO CONCRETE POUR FOR APPROVAL OF FORMS.
2. SUBGRADE SHALL BE SHAPED AND COMPACTED TO A FIRM EVEN SURFACE.
3. ALL SOFT AND YIELDING MATERIAL SHALL BE REMOVED AND REPLACED WITH ACCEPTABLE MATERIAL.
4. CONCRETE FOR SIDEWALKS SHALL BE AIR ENTRAINED CONCRETE CLASS 3000.
5. PROVIDE EXPANSION JOINTS EVERY 15 FEET AND DUMMY JOINTS EVERY 5 FEET.
6. CONCRETE SURFACE SHALL BE TROWELED SMOOTH AND HAIR BROOMED.
7. DRIVEWAY APPROACHES AND SIDEWALKS = 6"
8. WEEP HOLES NOT PERMITTED ON ROLLED CURB



CEMENT CONCRETE
PEDESTRIAN CURB



CEMENT CONCRETE
PEDESTRIAN CURB
AT SIDEWALKS RAMP & LANDINGS

REV. NO.	DATE	BY	APPR.
1	1/1/11	SCD	JC



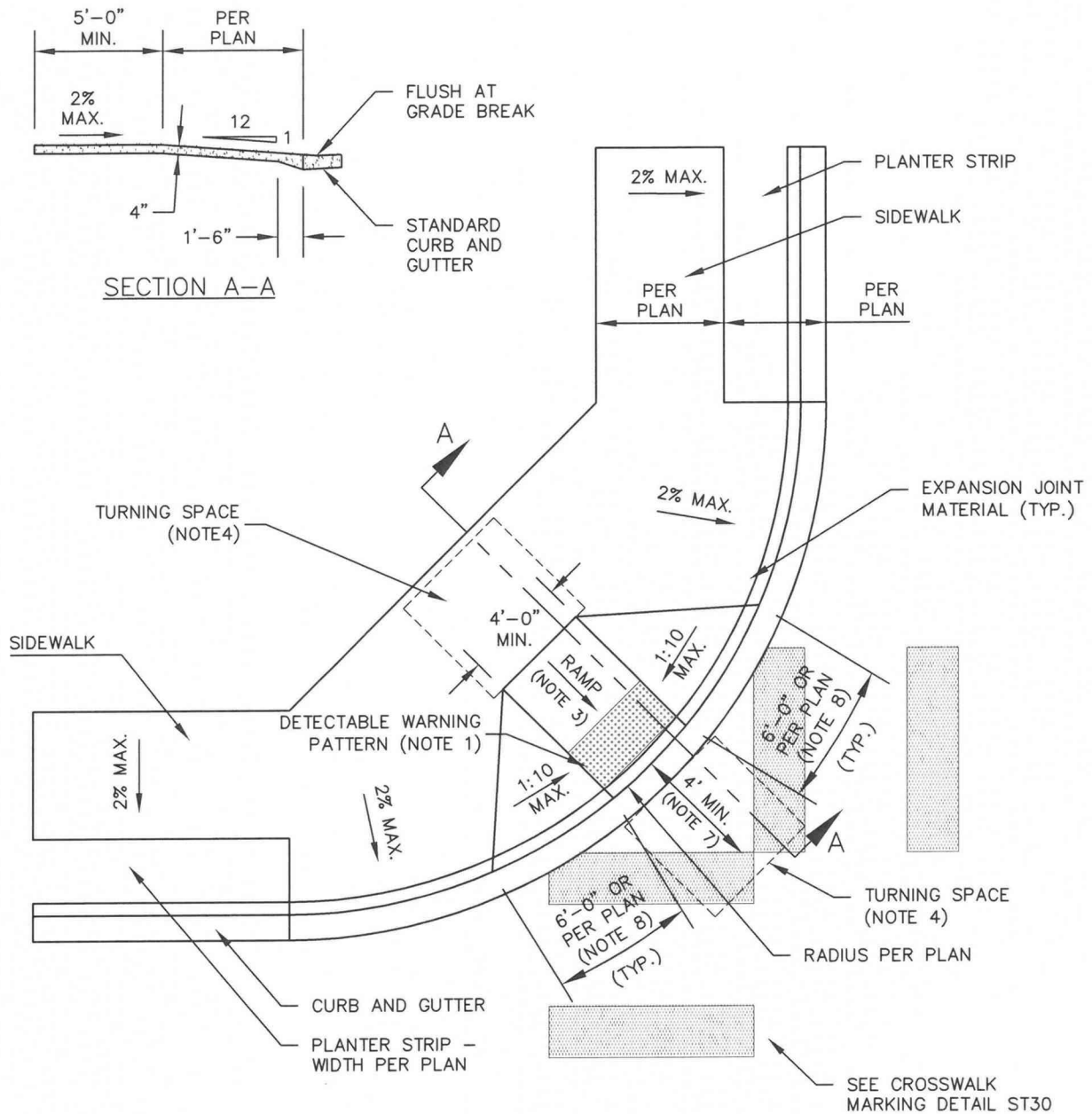
CITY OF CAMAS ~ STREET DETAIL
PEDESTRIAN CURB

Jan P. Coathran 1-4-11
DETAIL APPROVED BY DATE

DETAIL NO.

ST19

NOT TO SCALE



NOTES:

1. TRUNCATED DOMES SHALL BE IN COMPLIANCE WITH WSDOT STANDARD PLAN F-45.10. SEE DETECTABLE WARNING PATTERN DETAIL.
2. ALL SIDEWALK, TURNING SPACES, RAMPS, WINGS AND CURBS SHALL BE CLASS 3000 CEMENT CONCRETE.
3. RAMP GRADE SHALL NOT EXCEED 8.3% (1:12) AND RAMP CROSS SLOPE SHALL NOT EXCEED 2%.
4. TURNING SPACE SHALL BE 4' X 4' MIN. & NOT EXCEED 2% SLOPE IN ANY DIRECTION.
5. RAMPS TO BE CENTERED IN CROSSWALKS.
6. RAMPS TO BE CONSTRUCTED SEPARATELY FROM SIDEWALK AND ISOLATED BY EXPANSION JOINT MATERIAL.
7. IF A SINGLE DIAGONAL CURB RAMP IS PERMITTED, 48" MIN. CLEAR SPACE SHALL BE PROVIDED FOR MANEUVERING ROOM IN CROSSWALK.
8. NOT TO EXCEED 6'-0" AT CURB.
9. NOT APPROVED FOR USE ON COLLECTORS OR ARTERIALS



STREET DETAIL
TYPE 1 PERPENDICULAR CURB RAMP

John P. Crutcher 3-7-22
 DETAIL APPROVED BY DATE

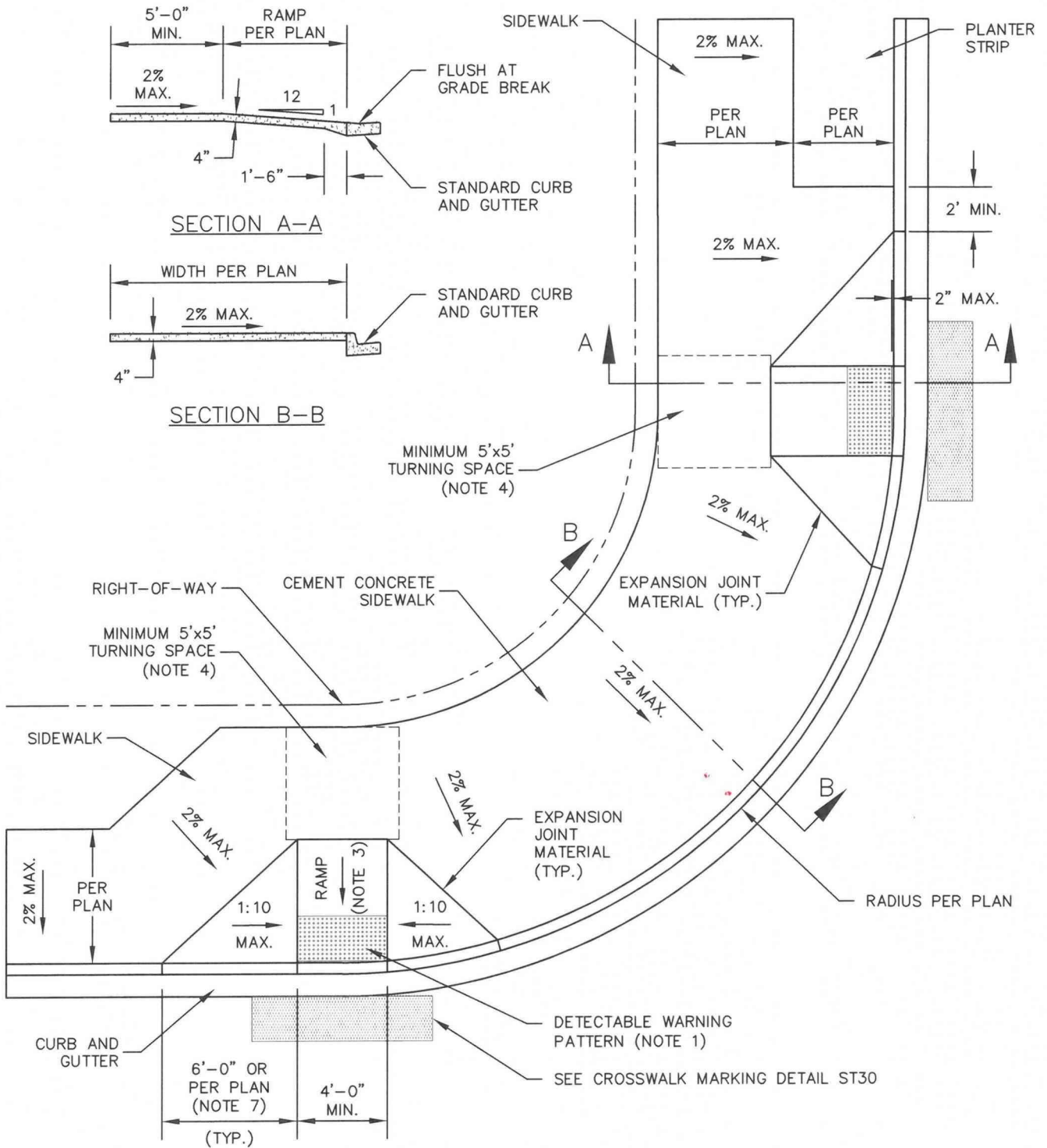
NOT TO SCALE

DETAIL NO.

ST20

REVISION: 6 DATE: 03/02/2022

ST-SIDEWALKS.DWG



NOTES:

1. TRUNCATED DOMES SHALL BE IN COMPLIANCE WITH WSDOT STANDARD PLAN F-45.10. SEE DETECTABLE WARNING PATTERN DETAIL.
2. ALL SIDEWALK, TURNING SPACES, RAMPS, WINGS AND CURBS SHALL BE CLASS 3000 CEMENT CONCRETE.
3. RAMP GRADE SHALL NOT EXCEED 8.3% (1:12) AND RAMP CROSS SLOPE SHALL NOT EXCEED 2%.
4. TURNING SPACE GRADE SHALL NOT EXCEED 2% IN ANY DIRECTION.
5. RAMPS TO BE CENTERED IN CROSSWALKS.
6. RAMPS TO BE CONSTRUCTED SEPARATELY FROM SIDEWALK AND ISOLATED BY EXPANSION JOINT MATERIAL.
7. NOT TO EXCEED 6'-0" AT CURB.



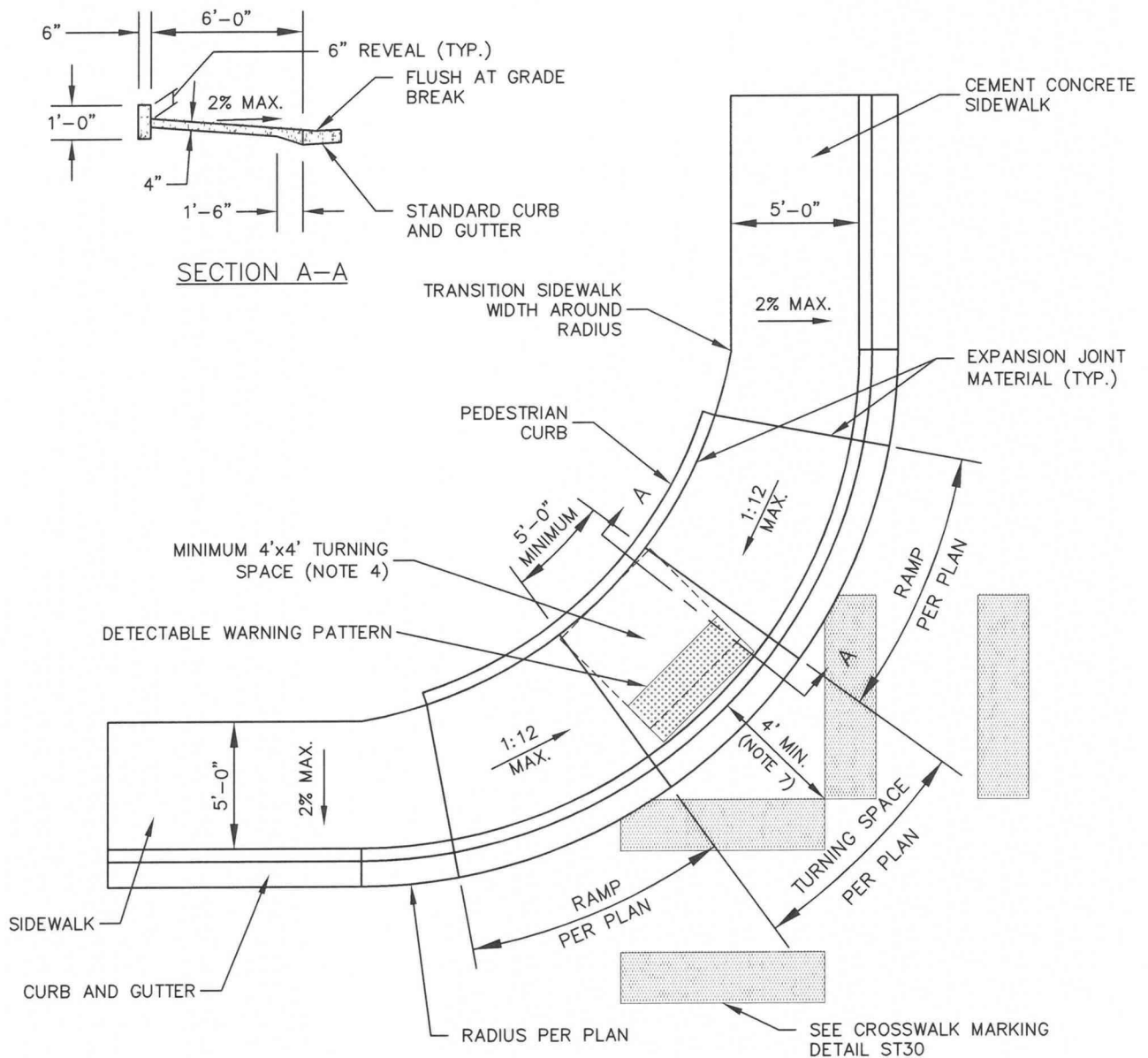
STREET DETAIL
TYPE 1 DUAL PERPENDICULAR CURB RAMP

Jim P. Carther 3-7-22
 DETAIL APPROVED BY DATE

NOT TO SCALE
 REVISION: 3
 DATE: 03/02/2022

DETAIL NO.
 ST20A

ST-SIDEWALKS.DWG



NOTES:

1. TRUNCATED DOMES SHALL BE IN COMPLIANCE WITH WSDOT STANDARD PLAN F-45.10. SEE DETECTABLE WARNING PATTERN DETAIL.
2. ALL SIDEWALK, TURNING SPACES, RAMPS, WINGS AND CURBS SHALL BE CLASS 3000 CEMENT CONCRETE.
3. RAMP RUNNING GRADE SHALL NOT EXCEED 8.3% (1:12) AND RAMP CROSS SLOPE SHALL NOT EXCEED 2%. IF THE MAXIMUM RAMP GRADE OF 8.3% (1:12) CANNOT BE ACHIEVED DUE TO THE GRADE OF THE EXISTING SIDEWALK, THE LENGTH OF THE CURB RAMP SHALL NOT BE REQUIRED TO BE LONGER THAN 15 FEET REGARDLESS OF THE RESULTING RAMP GRADE.
4. TURNING SPACE SHALL BE 4' X 4' MIN. & SHALL NOT EXCEED 2% IN ANY DIRECTION.
5. RAMPS TO BE CENTERED IN CROSS WALKS.
6. RAMPS TO BE CONSTRUCTED SEPARATELY FROM SIDEWALK AND ISOLATED BY EXPANSION JOINT MATERIAL.
7. 48" MIN. CLEAR SPACE SHALL BE PROVIDED FOR MANEUVERING ROOM IN CROSSWALK.
8. NOT APPROVED FOR USE ON COLLECTORS OR ARTERIALS.



STREET DETAIL
TYPE 2 PARALLEL CURB RAMP

Jan P. Cavether 3-7-22
 DETAIL APPROVED BY DATE

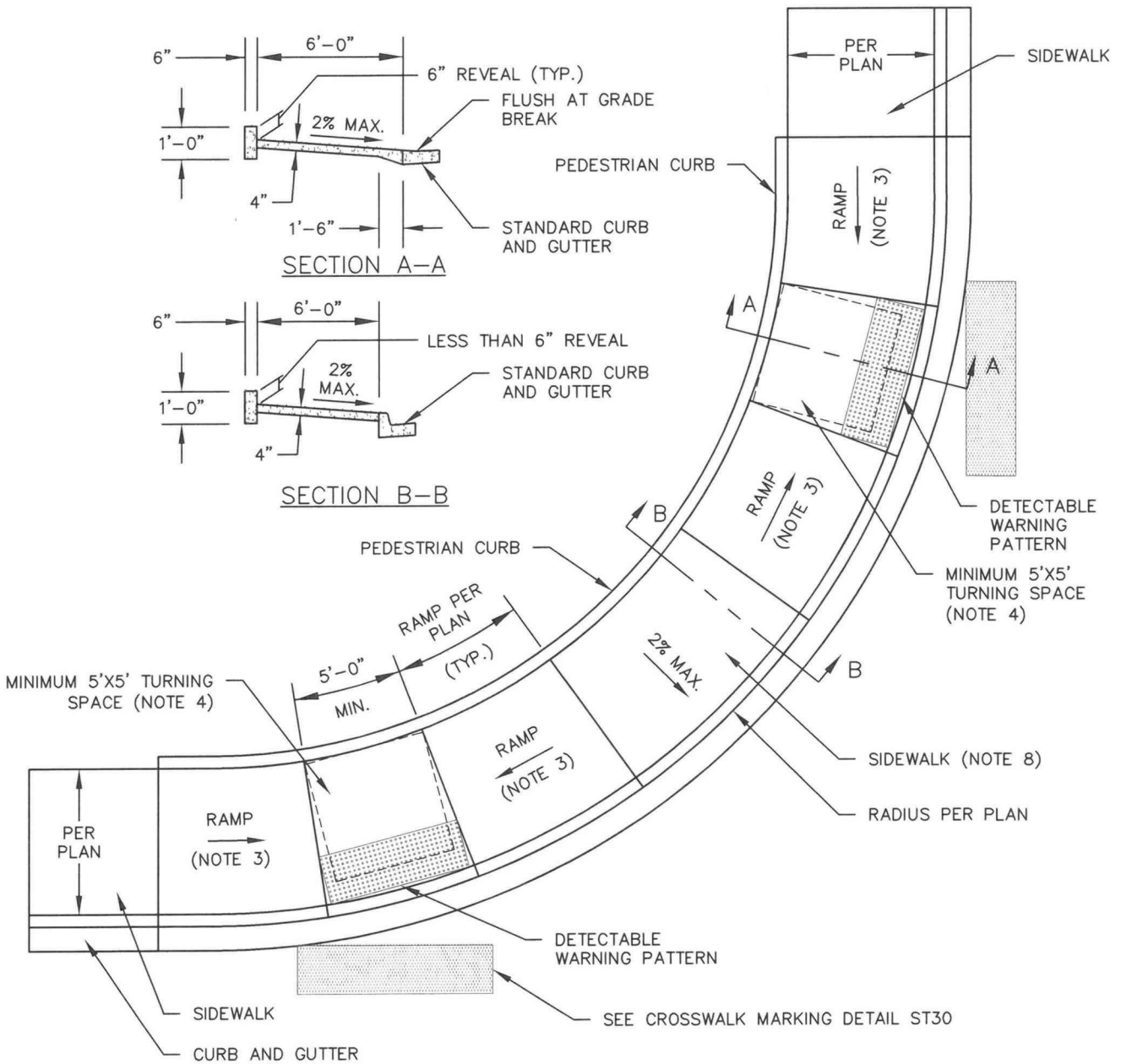
NOT TO SCALE

DETAIL NO.

ST21

REVISION: 4 DATE: 03/02/2022

ST-SIDEWALKS.DWG



NOTES:

1. TRUNCATED DOMES SHALL BE IN COMPLIANCE WITH WSDOT STANDARD PLAN F-45.10. SEE DETECTABLE WARNING PATTERN DETAIL.
2. ALL SIDEWALK, TURNING SPACES, RAMPS, WINGS AND CURBS SHALL BE CLASS 3000 CEMENT CONCRETE.
3. RAMP RUNNING GRADE SHALL NOT EXCEED 8.3% (1:12) AND RAMP CROSS SLOPE SHALL NOT EXCEED 2%. IF THE MAXIMUM RAMP GRADE OF 8.3% (1:12) CANNOT BE ACHIEVED DUE TO THE GRADE OF THE EXISTING SIDEWALK, THE LENGTH OF THE CURB RAMP SHALL NOT BE REQUIRED TO BE LONGER THAN 15 FEET REGARDLESS OF THE RESULTING RAMP GRADE.
4. TURNING SPACE GRADE SHALL NOT EXCEED 2% IN EITHER DIRECTION.
5. RAMPS TO BE CENTERED IN CROSS WALKS.
6. RAMPS TO BE CONSTRUCTED SEPARATELY FROM SIDEWALK AND ISOLATED BY EXPANSION JOINT MATERIAL.
7. IF A SINGLE PARALLEL CURB RAMP IS USED, 48" MIN. CLEAR SPACE SHALL BE PROVIDED FOR MANEUVERING ROOM IN CROSSWALK.
8. FOR DUAL PARALLEL CURB RAMPS THERE SHALL BE A MINIMUM OF 4' OF SIDEWALK BETWEEN TOP OF RAMPS.



STREET DETAIL
TYPE 2 DUAL PARALLEL CURB RAMP

John P. Carver 3-7-22
 DETAIL APPROVED BY DATE

NOT TO SCALE

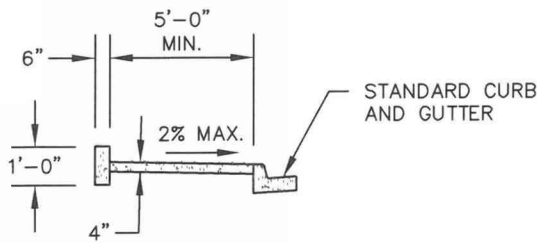
DETAIL NO.

ST21A

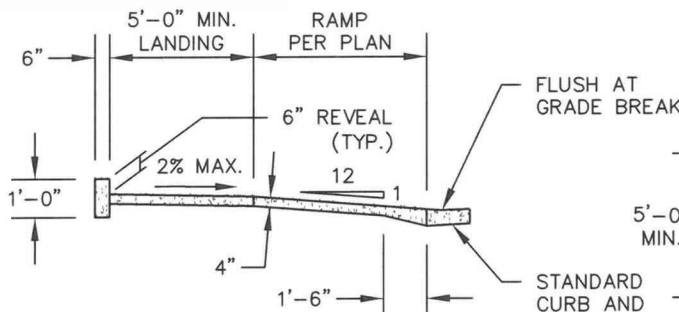
REVISION: 2

DATE: 03/02/2022

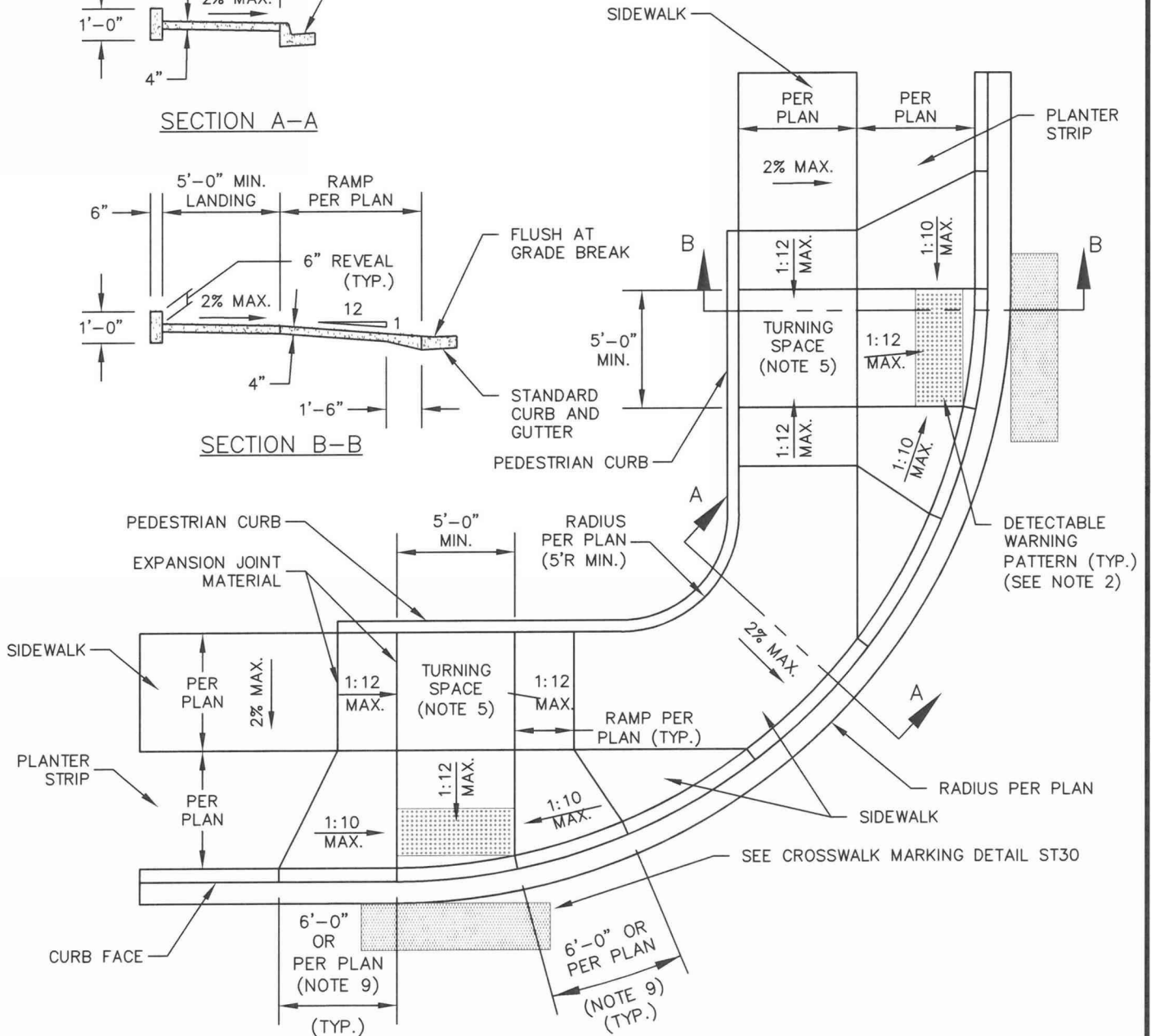
ST-SIDEWALKS.DWG



SECTION A-A



SECTION B-B



NOTES:

1. THIS RAMP TYPE TO BE USED IN EXISTING RESTRICTED RIGHT OF WAY INSTALLATIONS.
2. TRUNCATED DOMES SHALL BE IN COMPLIANCE WITH WSDOT STANDARD PLAN F-45.10. SEE DETECTABLE WARNING PATTERN DETAIL.
3. ALL SIDEWALK, TURNING SPACES, RAMPS, WINGS AND CURBS SHALL BE CLASS 3000 CEMENT CONCRETE.
4. RAMP RUNNING GRADE SHALL NOT EXCEED 8.3% (1:12) AND RAMP CROSS SLOPE SHALL NOT EXCEED 2%. IF THE MAXIMUM RAMP GRADE OF 8.3% (1:12) CANNOT BE ACHIEVED DUE TO THE GRADE OF THE EXISTING SIDEWALK, THE LENGTH OF THE CURB RAMP SHALL NOT BE REQUIRED TO BE LONGER THAN 15 FEET REGARDLESS OF THE RESULTING RAMP GRADE.
5. TURNING SPACE GRADE SHALL NOT EXCEED 2% IN ANY DIRECTION.
6. RAMPS TO BE CENTERED IN CROSS WALKS.
7. RAMPS TO BE CONSTRUCTED SEPARATELY FROM SIDEWALK AND ISOLATED BY EXPANSION JOINT MATERIAL.
8. DOUBLE RAMPS ALLOWED ONLY IF CURB RETURN RADIUS IS GREATER THAN OR EQUAL TO 25'.
9. NOT TO EXCEED 6'-0" AT CURB.



STREET DETAIL
TYPE 4 COMBINATION CURB RAMP

Jim Clavette 3-7-22
DETAIL APPROVED BY DATE

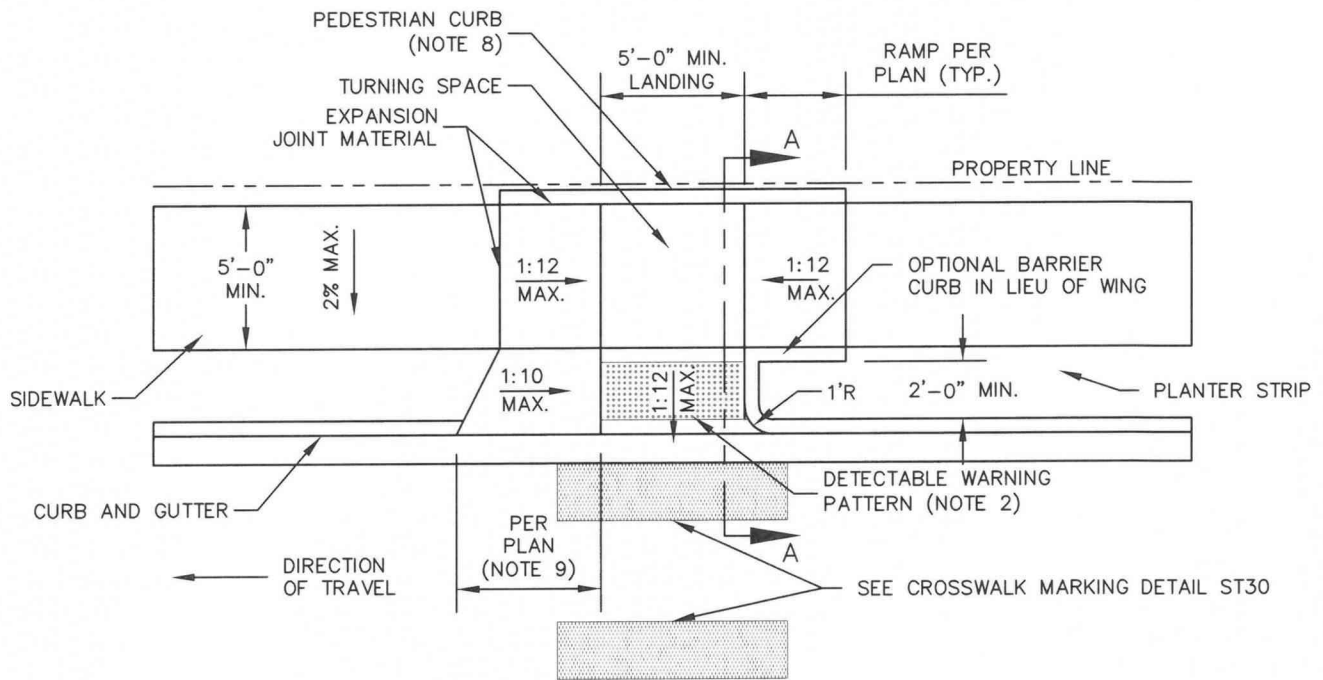
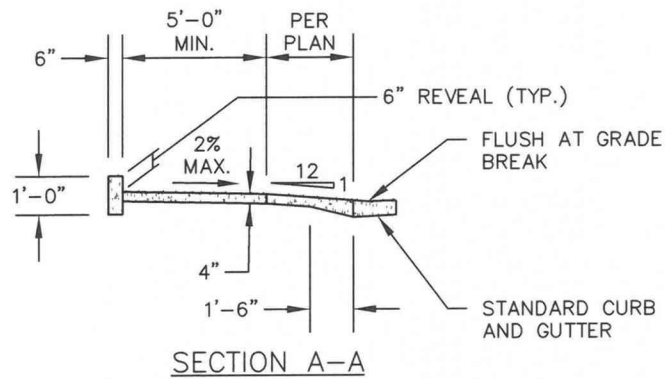
NOT TO SCALE

DETAIL NO.

ST23

REVISION: 6 DATE: 03/02/2022

ST-SIDEWALKS.DWG



NOTES:

1. THIS RAMP TYPE TO BE USED IN EXISTING RESTRICTED RIGHT OF WAY, MID BLOCK, OR INTERSECTION RADIUS SITUATIONS.
2. TRUNCATED DOMES SHALL BE IN COMPLIANCE WITH WSDOT STANDARD PLAN F-45.10A. SEE DETECTABLE WARNING PATTERN DETAIL.
3. ALL SIDEWALK, TURNING SPACES, RAMPS, WINGS AND CURBS SHALL BE CLASS 3000 CEMENT CONCRETE.
4. RAMP RUNNING GRADE SHALL NOT EXCEED 8.3% (1:12) AND RAMP CROSS SLOPE SHALL NOT EXCEED 2%. IF THE MAXIMUM RAMP GRADE OF 8.3% (1:12) CANNOT BE ACHIEVED DUE TO THE GRADE OF THE EXISTING SIDEWALK, THE LENGTH OF THE CURB RAMP SHALL NOT BE REQUIRED TO BE LONGER THAN 15 FEET REGARDLESS OF THE RESULTING RAMP GRADE.
5. TURNING SPACE GRADE SHALL NOT EXCEED 2% IN ANY DIRECTION.
6. RAMPS TO BE CENTERED IN CROSS WALKS.
7. RAMPS TO BE CONSTRUCTED SEPARATELY FROM SIDEWALK AND ISOLATED BY EXPANSION JOINT MATERIAL.
8. PEDESTRIAN CURB MAY BE PLACED WITHIN SIDEWALK WHEN EXISTING SIDEWALK IS ON PROPERTY LINE.
9. NOT TO EXCEED 6'-0" AT CURB.



STREET DETAIL
MID-BLOCK CURB RAMP

Jim P. Coe
DETAIL APPROVED BY DATE 3-7-22

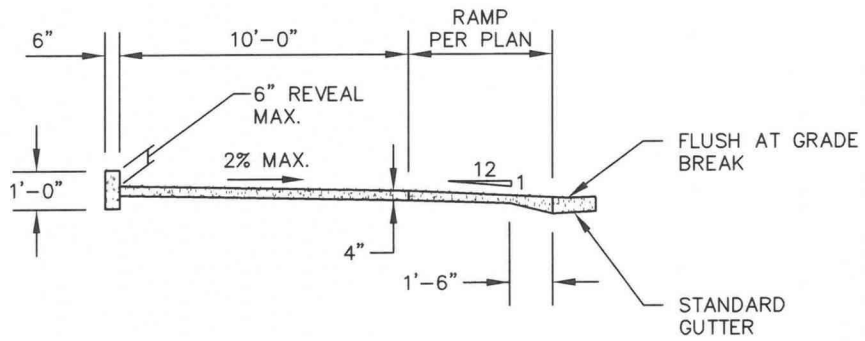
NOT TO SCALE

DETAIL NO.

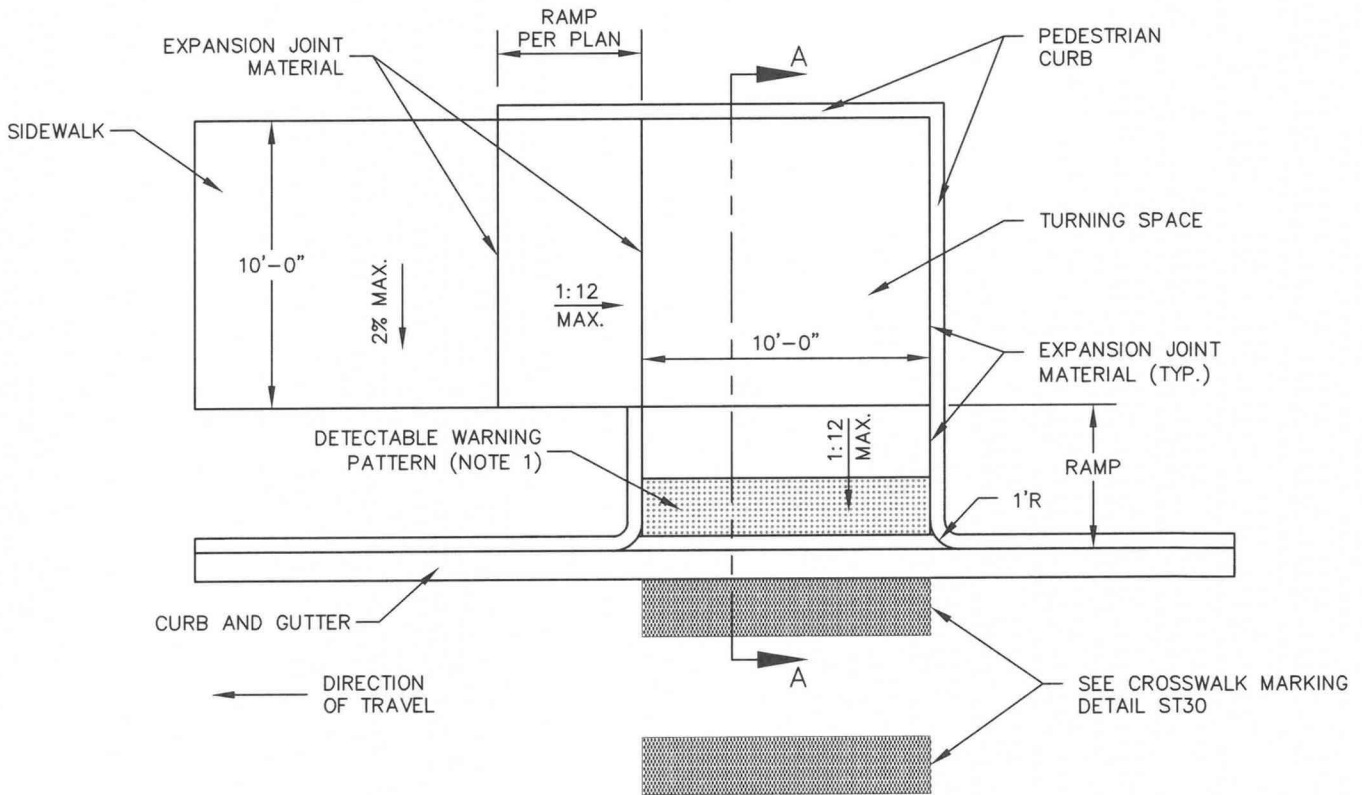
ST24

REVISION: 5 DATE: 03/02/2022

ST-SIDEWALKS.DWG



SECTION A-A



NOTES:

1. TRUNCATED DOMES SHALL BE IN COMPLIANCE WITH WSDOT STANDARD PLAN F-3A. SEE DETECTABLE WARNING PATTERN DETAIL.
2. ALL SIDEWALK, TURNING SPACES, RAMPS, WINGS AND CURBS SHALL BE CLASS 3000 CEMENT CONCRETE.
3. RAMP RUNNING GRADE SHALL NOT EXCEED 8.3% (1:12) AND RAMP CROSS SLOPE SHALL NOT EXCEED 2%. IF THE MAXIMUM RAMP GRADE OF 8.3% (1:12) CANNOT BE ACHIEVED DUE TO THE GRADE OF THE EXISTING SIDEWALK, THE LENGTH OF THE CURB RAMP SHALL NOT BE REQUIRED TO BE LONGER THAN 15 FEET REGARDLESS OF THE RESULTING RAMP GRADE.
4. TURNING SPACE GRADE SHALL NOT EXCEED 2% IN ANY DIRECTION.
5. RAMPS TO BE CENTERED IN CROSSWALKS.
6. RAMPS TO BE CONSTRUCTED SEPARATELY FROM SIDEWALK AND ISOLATED BY EXPANSION JOINT MATERIAL.



STREET DETAIL
MID-BLOCK REGIONAL TRAIL CURB RAMP

Joe P. Cauffman 3-7-22
DETAIL APPROVED BY DATE

NOT TO SCALE

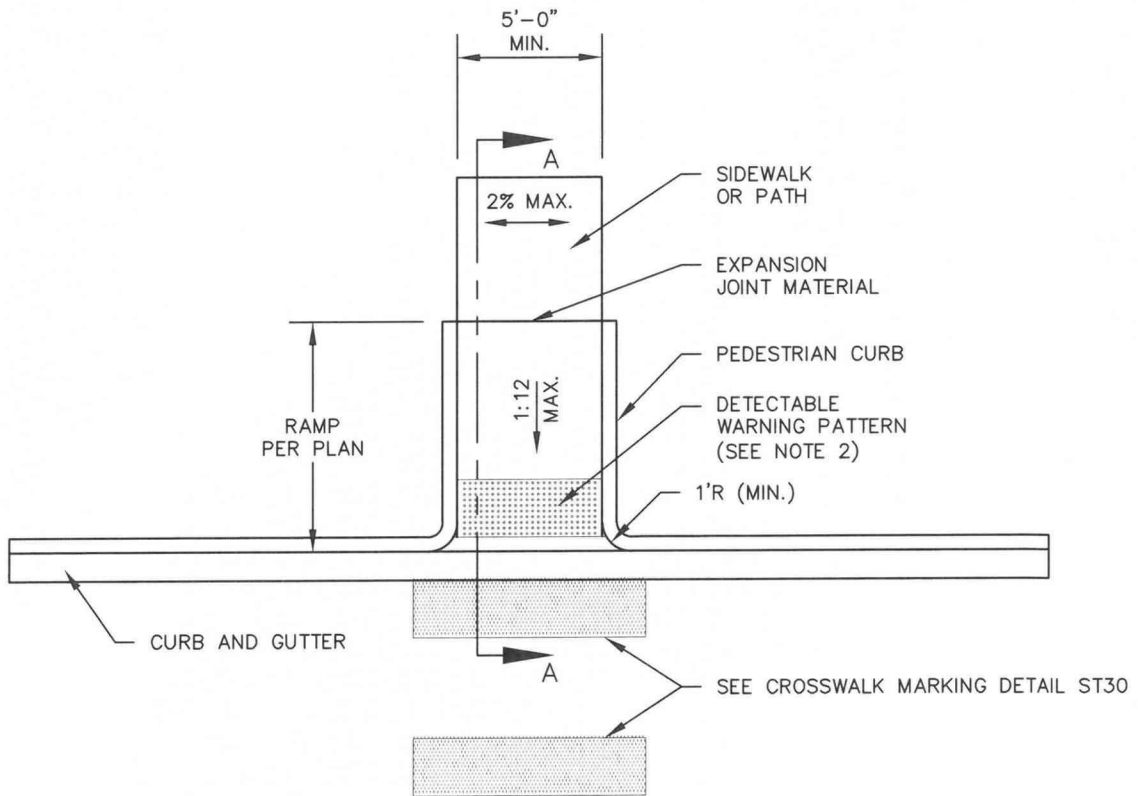
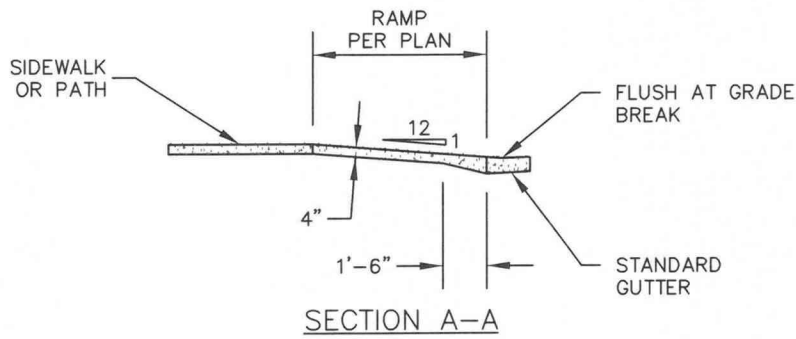
DETAIL NO.

ST25

REVISION: 4

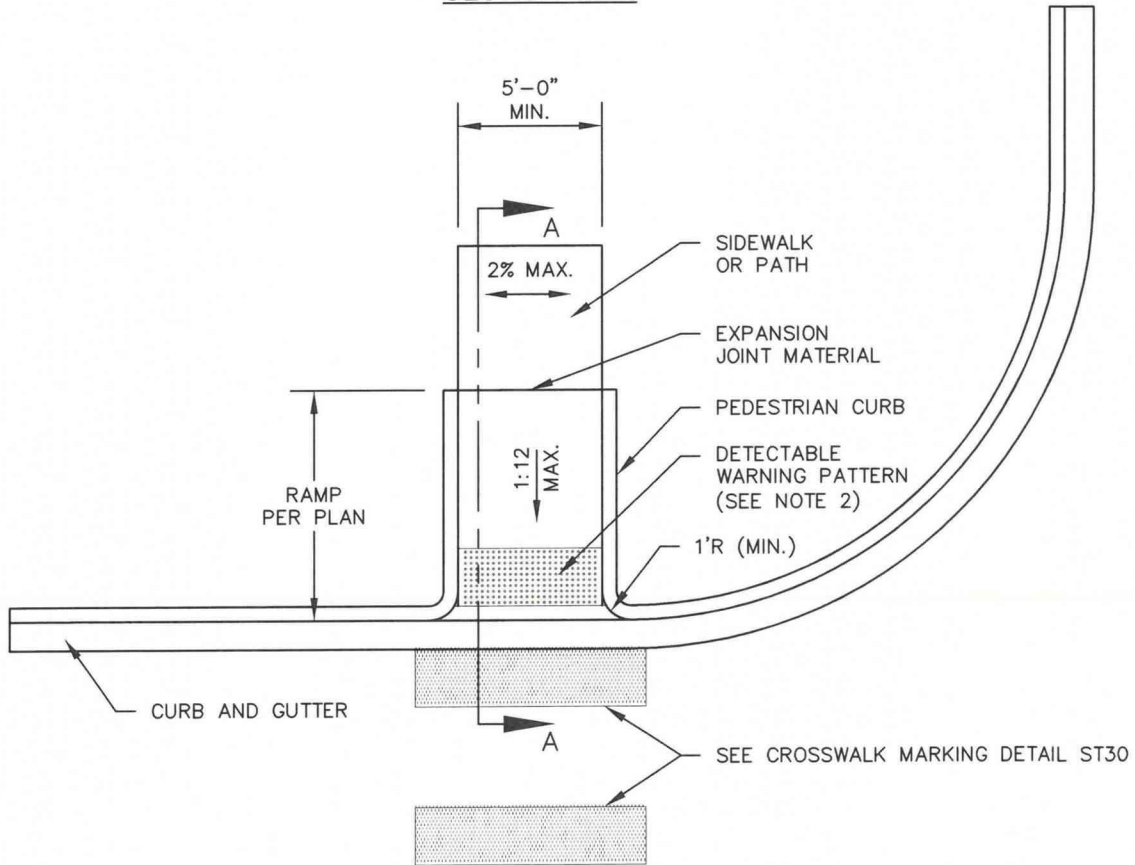
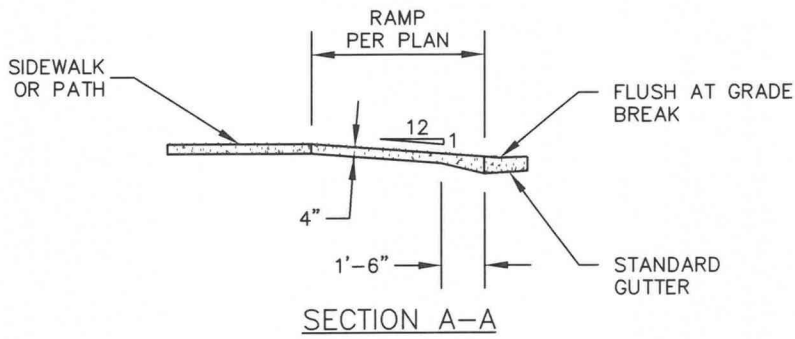
DATE: 03/02/2022

ST-SIDEWALKS.DWG



NOTES:

1. THIS RAMP TYPE TO BE USED IN MID-BLOCK SITUATIONS.
2. TRUNCATED DOMES SHALL BE IN COMPLIANCE WITH WSDOT STANDARD PLAN F-45.10. SEE DETECTABLE WARNING PATTERN DETAIL.
3. ALL SIDEWALK, TURNING SPACES, RAMPS, WINGS AND CURBS SHALL BE CLASS 3000 CEMENT CONCRETE.
4. RAMP RUNNING GRADE SHALL NOT EXCEED 8.3% (1:12) AND RAMP CROSS SLOPE SHALL NOT EXCEED 2%. IF THE MAXIMUM RAMP GRADE OF 8.3% (1:12) CANNOT BE ACHIEVED DUE TO THE GRADE OF THE EXISTING SIDEWALK, THE LENGTH OF THE CURB RAMP SHALL NOT BE REQUIRED TO BE LONGER THAN 15 FEET REGARDLESS OF THE RESULTING RAMP GRADE.
5. RAMPS TO BE CENTERED IN CROSS WALKS.
6. RAMPS TO BE CONSTRUCTED SEPARATELY FROM SIDEWALK AND ISOLATED BY EXPANSION JOINT MATERIAL.



NOTES:

1. TRUNCATED DOMES SHALL BE IN COMPLIANCE WITH WSDOT STANDARD PLAN F-45.10. SEE DETECTABLE WARNING PATTERN DETAIL.
2. ALL SIDEWALK, TURNING SPACES, RAMPS, WINGS AND CURBS SHALL BE CLASS 3000 CEMENT CONCRETE.
3. RAMP RUNNING GRADE SHALL NOT EXCEED 8.3% (1:12) AND RAMP CROSS SLOPE SHALL NOT EXCEED 2%. IF THE MAXIMUM RAMP GRADE OF 8.3% (1:12) CANNOT BE ACHIEVED DUE TO THE GRADE OF THE EXISTING SIDEWALK, THE LENGTH OF THE CURB RAMP SHALL NOT BE REQUIRED TO BE LONGER THAN 15 FEET REGARDLESS OF THE RESULTING RAMP GRADE.
4. RAMPS TO BE CENTERED IN CROSS WALKS.
5. RAMPS TO BE CONSTRUCTED SEPARATELY FROM SIDEWALK AND ISOLATED BY EXPANSION JOINT MATERIAL.



STREET DETAIL
SINGLE DIRECTION CURB RAMP

Jan E. Cavallaro 3-7-22
 DETAIL APPROVED BY DATE

NOT TO SCALE

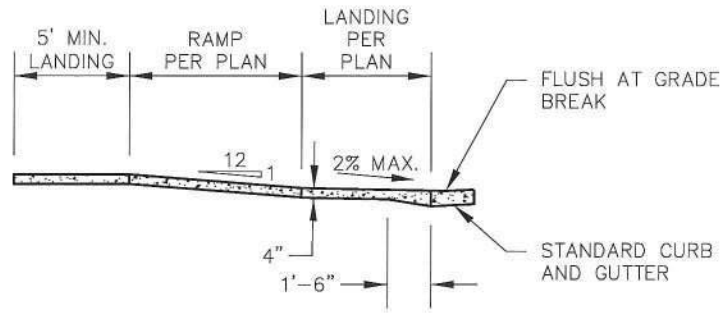
DETAIL NO.

ST27

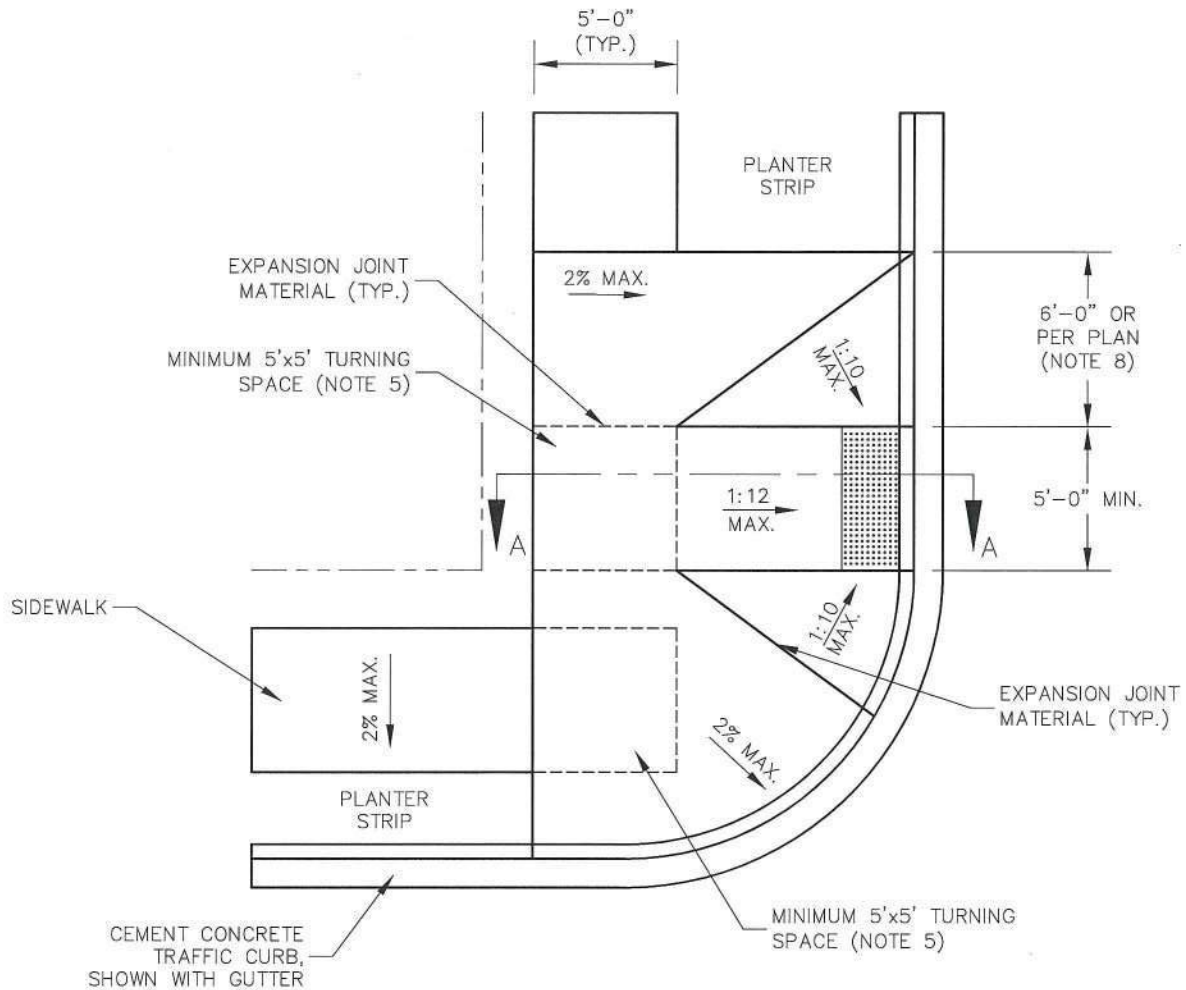
REVISION: 1

DATE: 03/02/2022

ST-SIDEWALKS.DWG



SECTION A-A



NOTES:

1. THIS RAMP TYPE TO BE USED IN EXISTING RESTRICTED RIGHT OF WAY INSTALLATIONS.
2. TRUNCATED DOMES SHALL BE IN COMPLIANCE WITH WSDOT STANDARD PLAN F-45.10. SEE DETECTABLE WARNING PATTERN DETAIL.
3. ALL SIDEWALK, TURNING SPACES, RAMPS, WINGS AND CURBS SHALL BE CLASS 3000 CEMENT CONCRETE.
4. RAMP RUNNING GRADE SHALL NOT EXCEED 8.3% (1:12) AND RAMP CROSS SLOPE SHALL NOT EXCEED 2%. IF THE MAXIMUM RAMP GRADE OF 8.3% (1:12) CANNOT BE ACHIEVED DUE TO THE GRADE OF THE EXISTING SIDEWALK, THE LENGTH OF THE CURB RAMP SHALL NOT BE REQUIRED TO BE LONGER THAN 15 FEET REGARDLESS OF THE RESULTING RAMP GRADE.
5. TURNING SPACE GRADE SHALL NOT EXCEED 2% IN ANY DIRECTION.
6. RAMPS TO BE CENTERED IN CROSS WALKS.
7. RAMPS TO BE CONSTRUCTED SEPARATELY FROM SIDEWALK AND ISOLATED BY EXPANSION JOINT MATERIAL.
8. NOT TO EXCEED 6'-0" AT CURB.

REV. NO.	DATE	BY	APPR.
1	1/1/11	SCD	JC
2	10/21/14	SCD	JC
3	4/27/16	SCD	JC



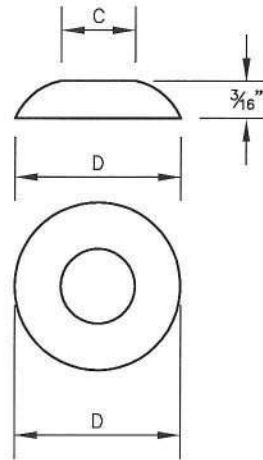
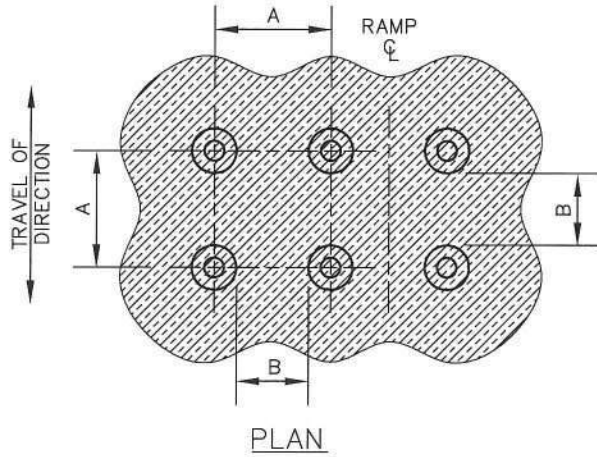
CITY OF CAMAS ~ STREET DETAIL
RETROFIT DIRECTIONAL CURB RAMP

Jan P. Carstén 4-26-16
DETAIL APPROVED BY DATE

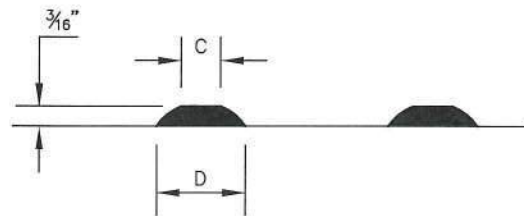
DETAIL NO.

ST28

NOT TO SCALE



DIMENSIONS		
	MIN.	MAX.
A	1 5/8"	2 3/8"
B	5/8"	1 1/2"
C	7/16"	3/4"
D	7/8"	1 7/16"



NOTES:

1. TRUNCATED DOMES SHALL BE IN COMPLIANCE WITH WSDOT STANDARD PLAN F-45.10.
2. DETECTABLE WARNING PATTERN AREA SHALL BE YELLOW, IN COMPLIANCE WITH WASHINGTON STATE STD. SPEC. 8-14.3(5).

REV. NO.	DATE	BY	APPR.
1	5/1/07	SCD	JC
2	1/1/11	SCD	JC
3	10/21/14	SCD	JC



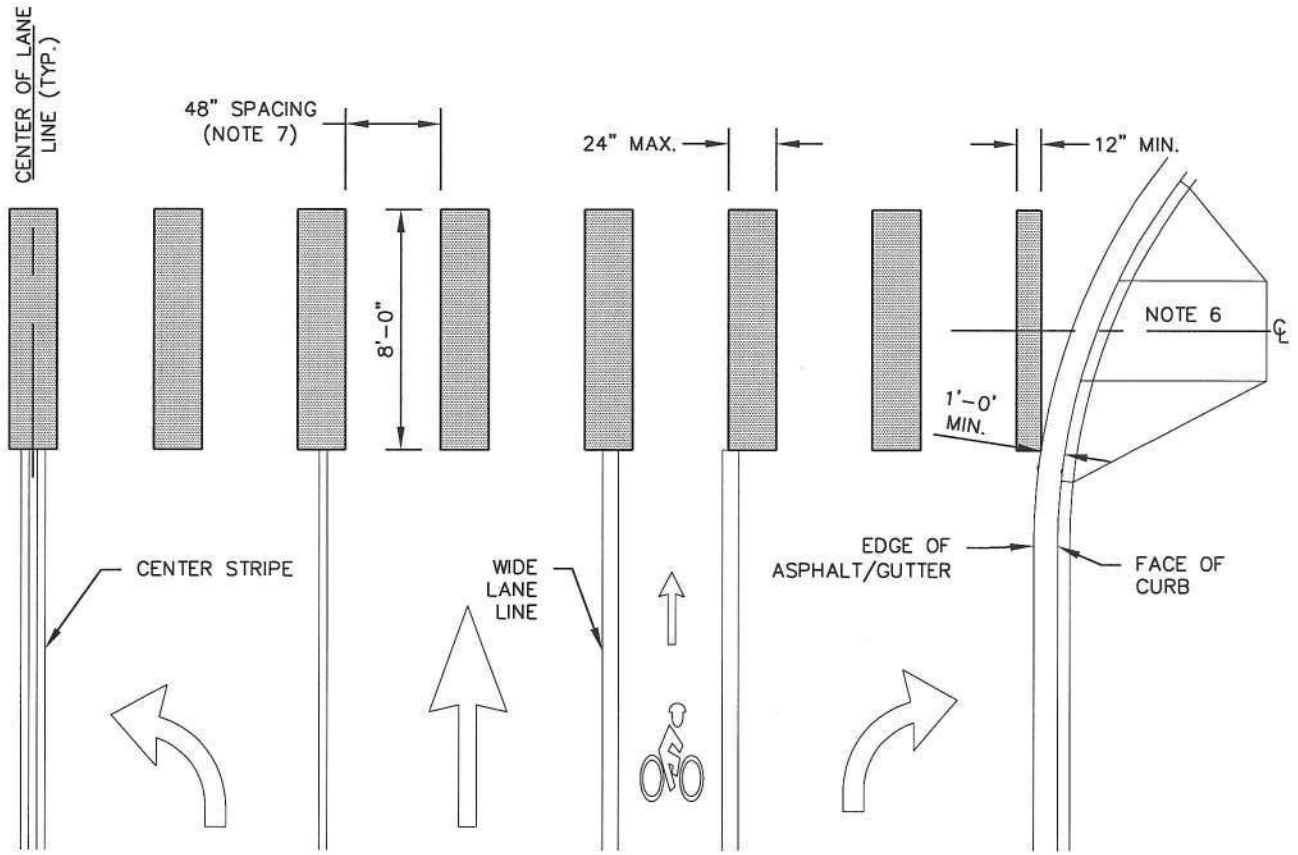
CITY OF CAMAS ~ STREET DETAIL
 DETECTABLE WARNING PATTERN

John P. Coakley 10-21-14
 DETAIL APPROVED BY DATE

NOT TO SCALE

DETAIL NO.

ST29



LONGITUDINAL LINE CROSSWALK

- NOTES:**
1. ALL PAVEMENT MARKINGS SHALL BE APPLIED PER SECTION 8-22 OF THE WSDOT STANDARD SPECIFICATIONS FOR ROAD, BRIDGE, AND MUNICIPAL CONSTRUCTION.
 2. CROSSWALK MARKINGS SHALL BE WHITE PRE-MARK THERMOPLASTIC MATERIAL, OR APPROVED EQUAL.
 3. MARKING DIMENSIONS ARE PER THE MANUAL ON UNIFORM TRAFFIC CONTROL DEVICES.
 4. SEE APPLICABLE CURB RAMP DETAIL FOR LOCATION OF CORNER CROSSWALK MARKINGS.
 5. SPACING OF STRIPES SHALL BE SELECTED TO AVOID WHEEL PATH.
 6. CROSSWALK MARKINGS SHALL BE ALIGNED WITH THE CENTERLINE OF THE SIDEWALK.
 7. LONGITUDINAL STRIPE GAP NOT TO EXCEED 2.5 TIMES STRIPE WIDTH

REV. NO.	DATE	BY	APPR.
1	5/1/07	SCD	JC
2	1/1/11	SCD	JC



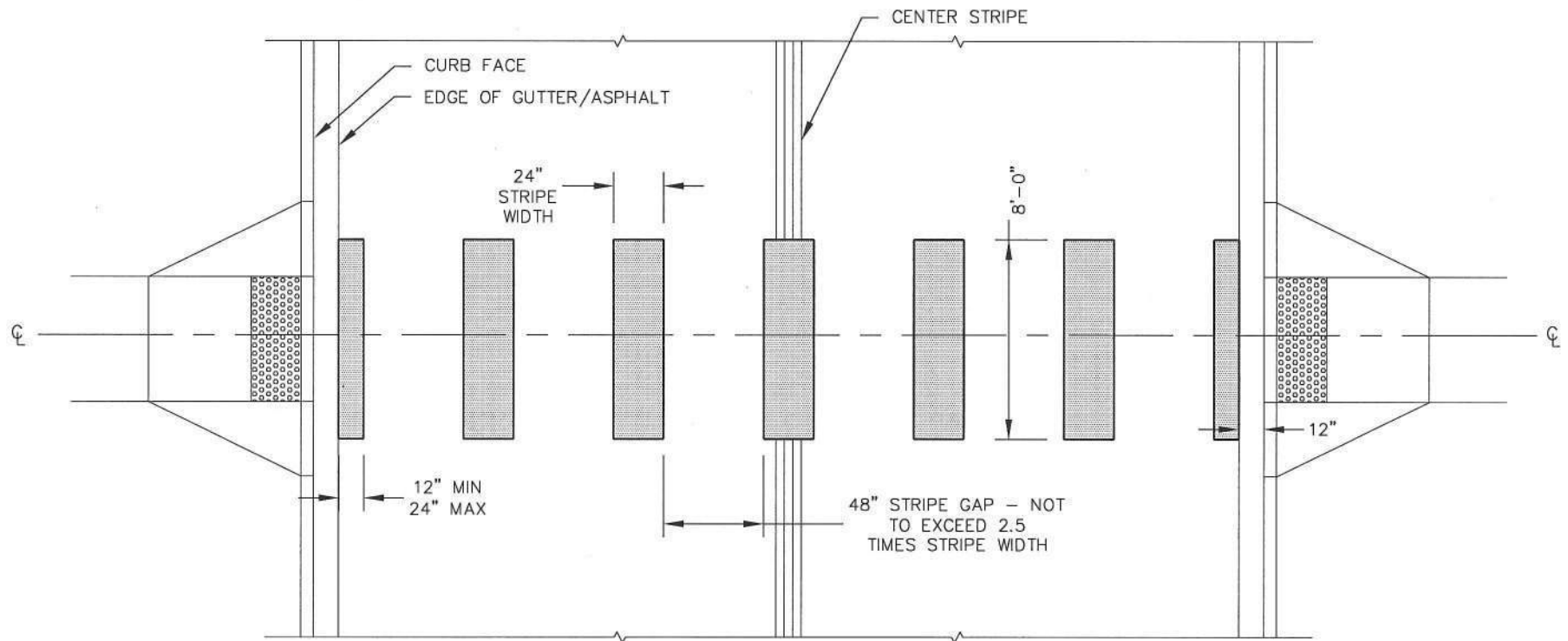
CITY OF CAMAS ~ STREET DETAIL
 CROSSWALK MARKINGS

Sam P. Coathran 1-4-11
 DETAIL APPROVED BY DATE

NOT TO SCALE

DETAIL NO.
 ST30

ST-MARKING.DWG



NOTES:

1. CROSSWALK MARKINGS SHALL BE WHITE PRE-MARK THERMOPLASTIC MATERIAL, OR APPROVED EQUAL.
2. SEE CROSSWALK MARKING DETAIL FOR LOCATION OF CORNER CROSSWALK MARKINGS.
3. SPACING OF STRIPES SHALL BE SELECTED TO AVOID WHEEL PATH.
4. CROSSWALK MARKINGS SHALL BE ALIGNED WITH THE CENTERLINE OF THE SIDEWALK.
5. ADVANCE SIGNAGE FOR UNSIGNALIZED MIDBLOCK CROSSINGS SHALL BE PER THE MUTCD AND USED AT THE DISCRETION OF THE ENGINEER.

REV. NO.	DATE	BY	APPR.
1	5/1/07	SCD	JC
2	1/1/11	SCD	JC



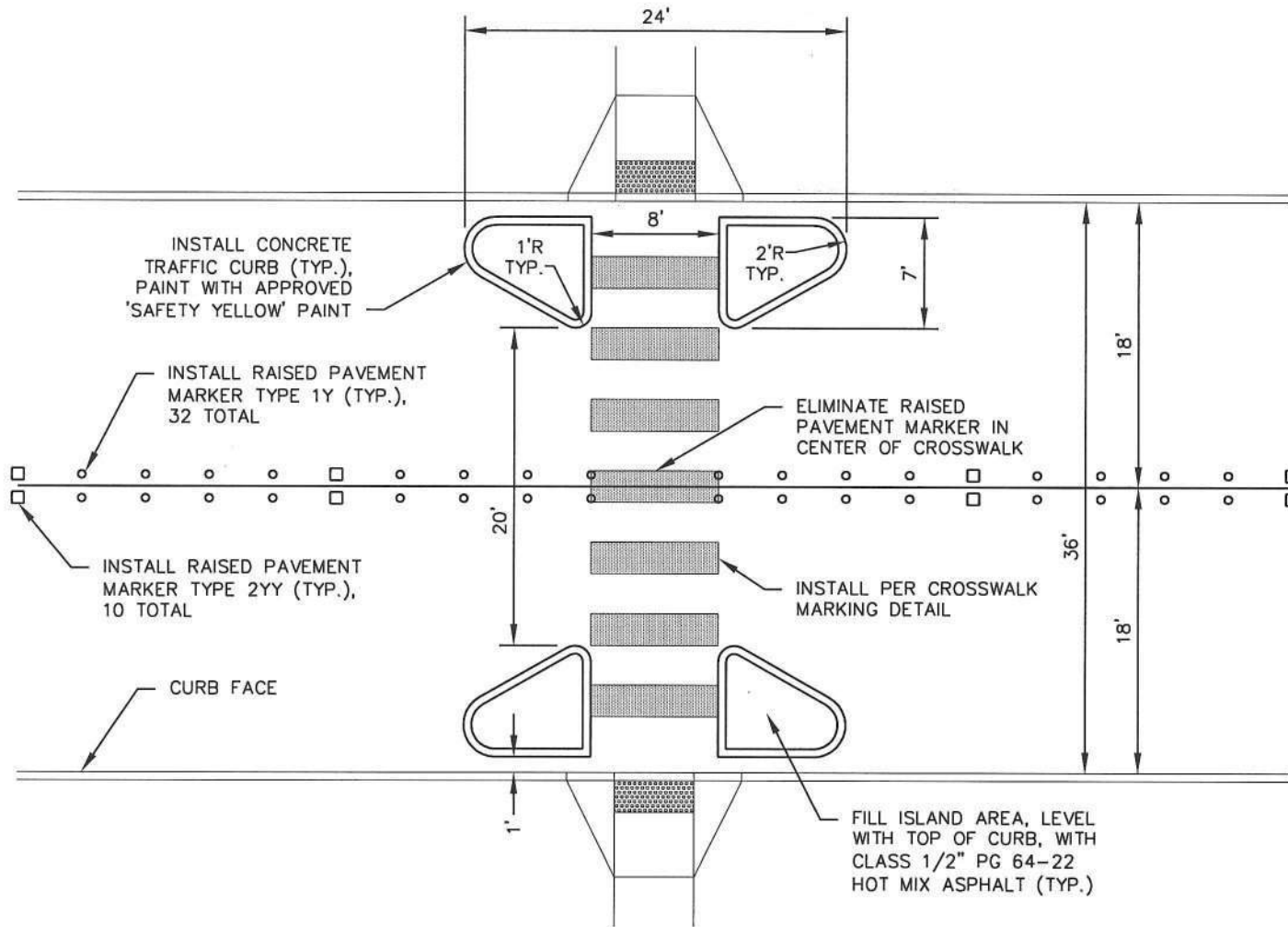
CITY OF CAMAS ~ STREET DETAIL
MIDBLOCK CROSSWALK MARKINGS

Jim P. Caithern 1-4-11
 DETAIL APPROVED BY DATE

DETAIL NO.

ST31

NOT TO SCALE



NOTES:

1. CROSSWALK MARKINGS SHALL BE WHITE PRE-MARK THERMOPLASTIC MATERIAL, OR APPROVED EQUAL.
2. SPACING OF STRIPES SHALL BE SELECTED TO AVOID WHEEL PATH.
3. CROSSWALK MARKINGS SHALL BE ALIGNED WITH THE CENTERLINE OF THE SIDEWALK.
4. ADVANCE SIGNAGE FOR UNSIGNALIZED MIDBLOCK CROSSINGS SHALL BE PER THE MUTCD AND USED AT THE DISCRETION OF THE ENGINEER.
5. RAISED PAVEMENT MARKERS ARE PER THE WSDOT STANDARD PLANS.

REV. NO.	DATE	BY	APPR.
1	5/1/07	SCD	JC
2	1/1/11	SCD	JC



CITY OF CAMAS ~ STREET DETAIL
TRAFFIC CALMING BULB-OUT

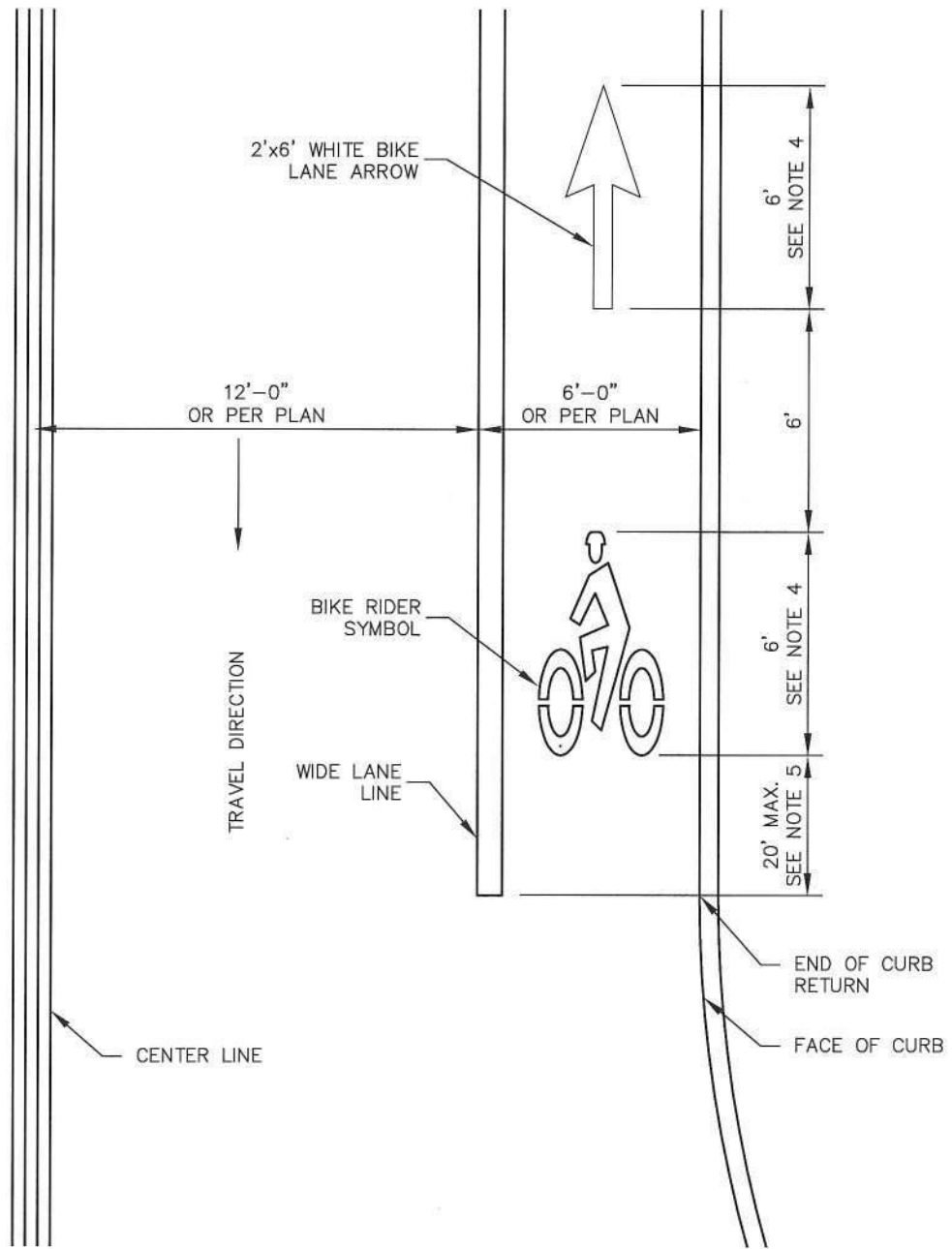
Jim P. Coathran 1-4-11
DETAIL APPROVED BY DATE

DETAIL NO.

ST32

NOT TO SCALE

ST-MARKING.DWG



NOTES:

1. ALL PAVEMENT MARKINGS SHALL BE APPLIED PER SECTION 8-22 OF THE WSDOT STANDARD SPECIFICATIONS FOR ROAD, BRIDGE, AND MUNICIPAL CONSTRUCTION.
2. MARKINGS SHALL BE WHITE PRE-MARK THERMOPLASTIC MATERIAL, OR APPROVED EQUAL.
3. "BICYCLE LANE SYMBOL" INCLUDES BIKE LANE ARROW AND BIKE RIDER SYMBOL.
4. REFER TO WSDOT STANDARD PLAN M-9.50 FOR SYMBOL DETAILS.
5. BICYCLE LANE SYMBOL SHALL BE LOCATED WITHIN 20' OF THE BEGINNING OF THE BICYCLE LANE LINE, AND ALSO LOCATED:
 - A. AT A MID-POINT BETWEEN INTERSECTIONS WHEN INTERSECTIONS ARE 500 TO 1000 FEET APART
 - B. EVERY 500 FEET WHEN INTERSECTIONS ARE GREATER THAN 1000 FEET APART
 - C. WHERE SHOWN ON PLANS
6. THE WIDE LANE LINE DELINEATES THE BICYCLE LANE AREA, SHALL BE 8" WIDE AND WHITE IN COLOR.
7. WHERE THE BICYCLE LANE IS TO THE LEFT OF THE RIGHT TURN POCKET, THE LANE LINE ON EACH SIDE OF THE BICYCLE LANE SHALL BE 8" WIDE.

REV. NO.	DATE	BY	APPR.
1	1/1/11	SCD	JC
2	10/21/14	SCD	JC



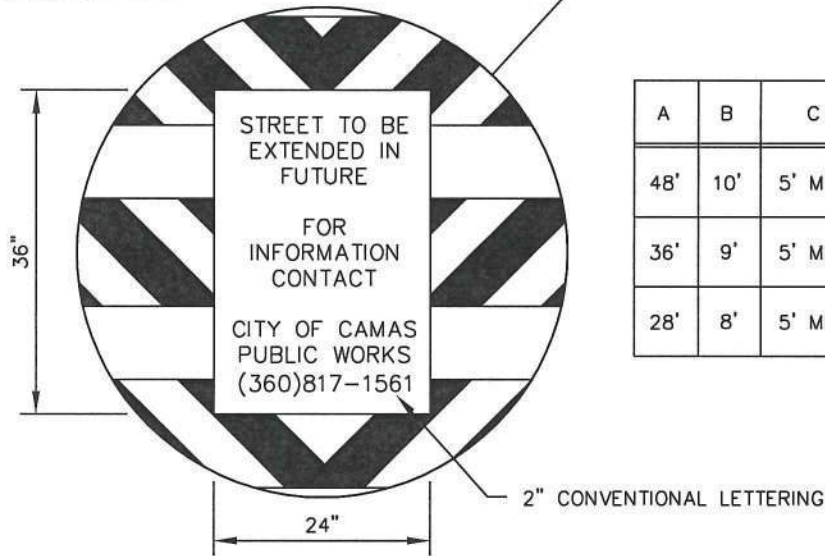
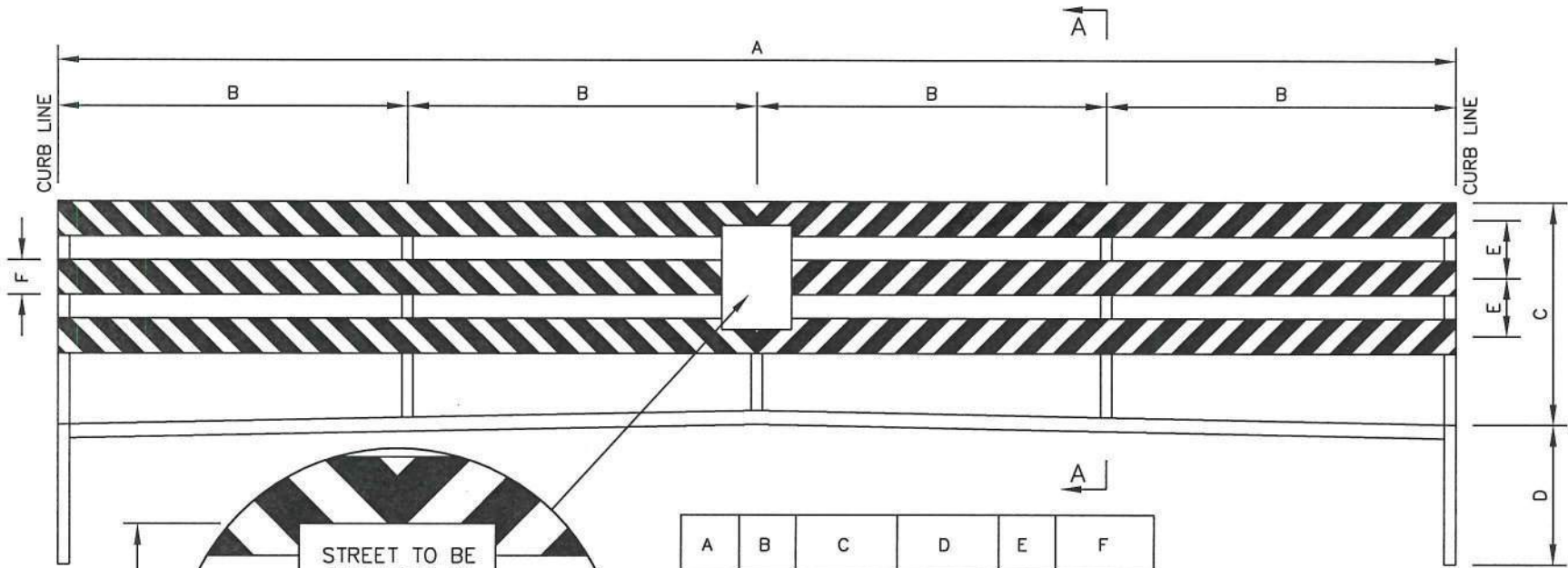
CITY OF CAMAS ~ STREET DETAIL
BICYCLE LANE MARKING

Jan P. Cantor 10-21-14
 DETAIL APPROVED BY DATE

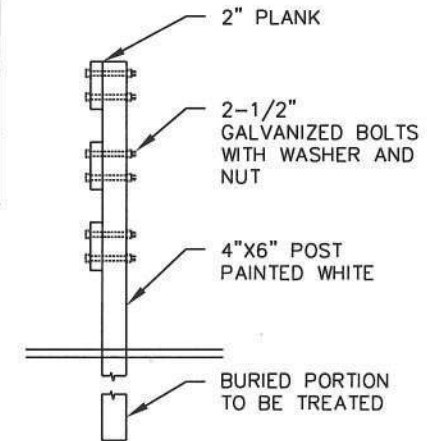
DETAIL NO.

ST33

NOT TO SCALE



A	B	C	D	E	F
48'	10'	5' MIN.	4' MIN.	20"	8"-12"
36'	9'	5' MIN.	4' MIN.	20"	8"-12"
28'	8'	5' MIN.	4' MIN.	20"	8"-12"



SECTION A-A

NOTES:

1. STRIPING SHALL BE ALTERNATING ORANGE (RODDA #1249 OR EQUAL) AND WHITE STRIPES 6" IN WIDTH AT A 45 DEGREE ANGLE AND SHALL BE EITHER RETRO-REFLECTIVE HIGH INTENSITY PRISMATIC TAPE OR PAINT WITH A SEALED RETRO-REFLECTIVE SURFACE.
2. THIS BARRICADE SHALL CONFORM TO SECTION 3F-1, MANUAL ON UNIFORM TRAFFIC CONTROL DEVICES-FHWA.

REV. NO.	DATE	BY	APPR.
1	5/1/07	SCD	JC
2	1/1/11	SCD	JC



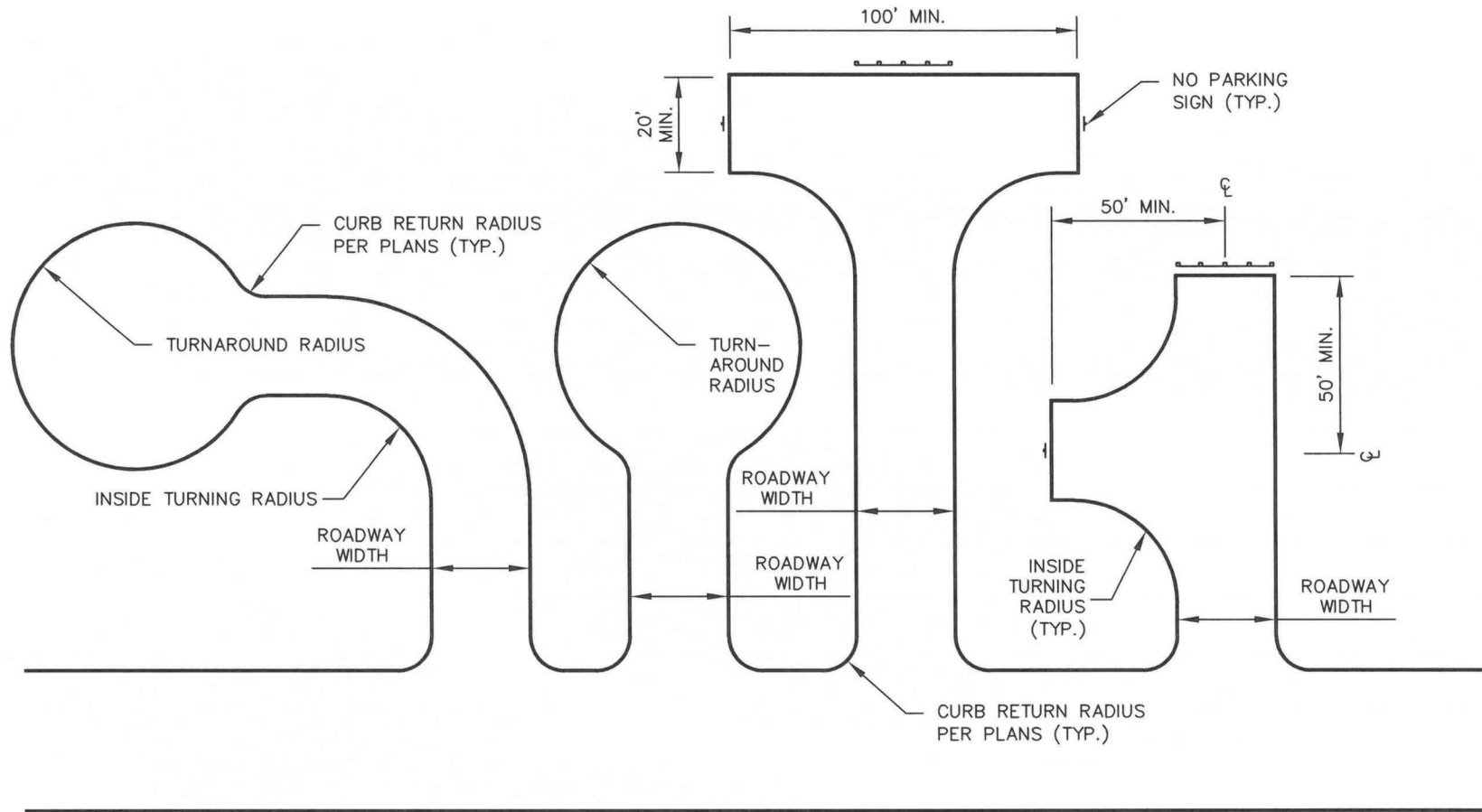
CITY OF CAMAS ~ STREET DETAIL
TYPE III BARRICADE

Sam P. Coulter 1-4-11
DETAIL APPROVED BY DATE

DETAIL NO.

ST35

NOT TO SCALE



FOR CUL-DE-SACS ONLY
GUIDELINES - ROADWAY WIDTH > 28'
 MINIMUM TURNING RADIUS (INSIDE RADIUS) 30'
 MINIMUM TURNAROUND RADIUS 44'
 PARKING MAY BE ALLOWED IN CUL-DE-SAC

GUIDELINES - ROADWAY WIDTH < 28'
 MINIMUM TURNING RADIUS (INSIDE RADIUS) 30'
 MINIMUM TURNAROUND RADIUS 35'
 NO PARKING IN CUL-DE-SAC / TURNAROUND

NOTES:

1. SURFACE SHALL BE AN APPROVED ASPHALT CONCRETE PAVEMENT STRUCTURAL SECTION, MINIMUM 4" COMPACTED THICKNESS.



STREET DETAIL
 DEAD END TURNAROUND

DETAIL APPROVED BY *Jan E. Caruth* DATE 3-2-22

NOT TO SCALE

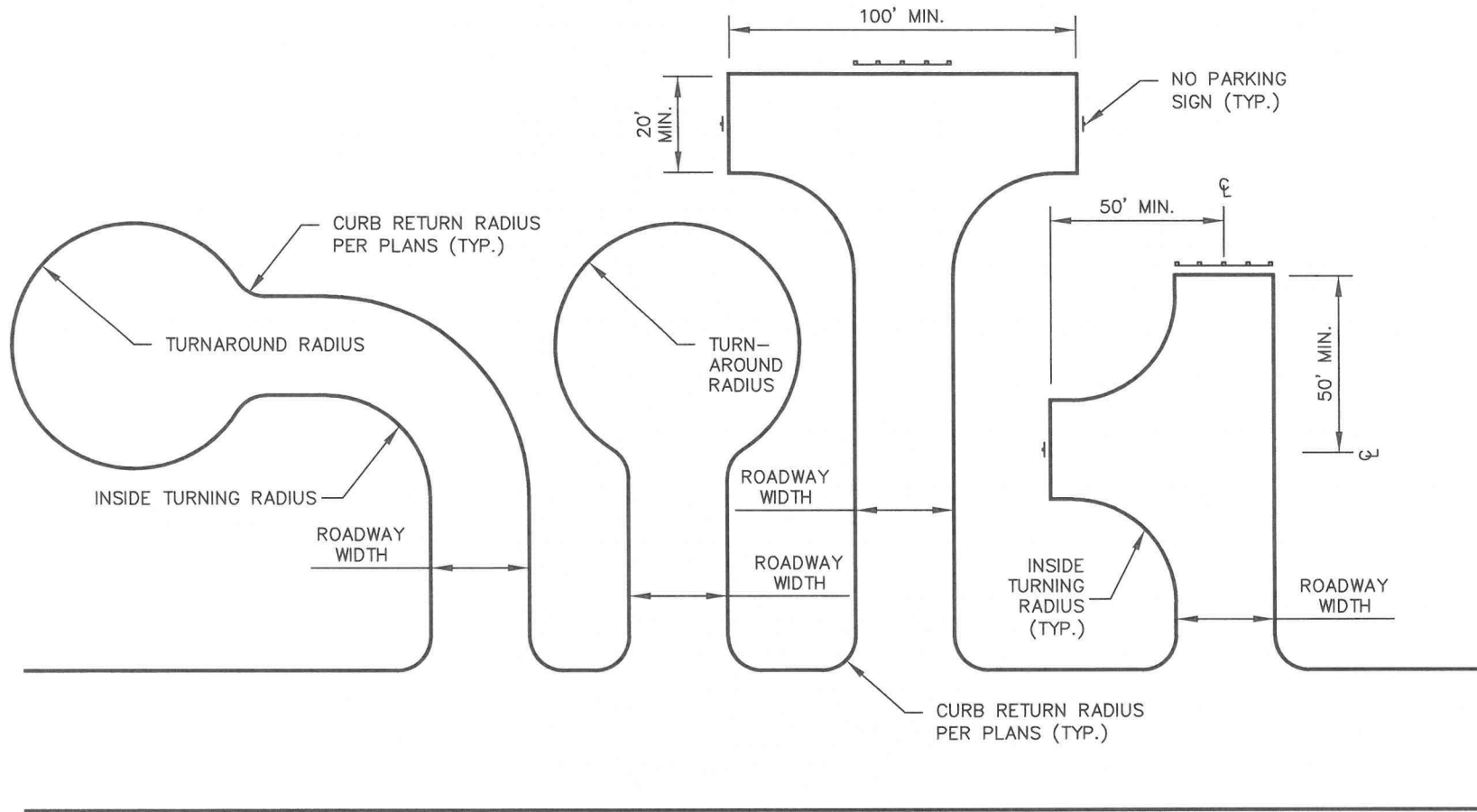
DETAIL NO.

ST36

REVISION: 3

DATE: 03/02/2022

ST-MISC.DWG



FOR CUL-DE-SACS ONLY
GUIDELINES – ROADWAY WIDTH > 28'
 MINIMUM TURNING RADIUS (INSIDE RADIUS) 30'
 MINIMUM TURNAROUND RADIUS 44'
 PARKING MAY BE ALLOWED IN CUL-DE-SAC

GUIDELINES – ROADWAY WIDTH < 28'
 MINIMUM TURNING RADIUS (INSIDE RADIUS) 30'
 MINIMUM TURNAROUND RADIUS 35'
 NO PARKING IN CUL-DE-SAC / TURNAROUND

NOTES:

1. ROAD SECTION SHALL BE CONSTRUCTED IN ACCORDANCE WITH PRIVATE STREET DETAILS: PVT1, PVT2, PVT3, PVT4, PVT5 & PVT6



STREET DETAIL
 DEAD END TURNAROUND-PRIVATE STREETS

DETAIL APPROVED BY *Jan C. Coe* 1/20/23
 DATE

NOT TO SCALE

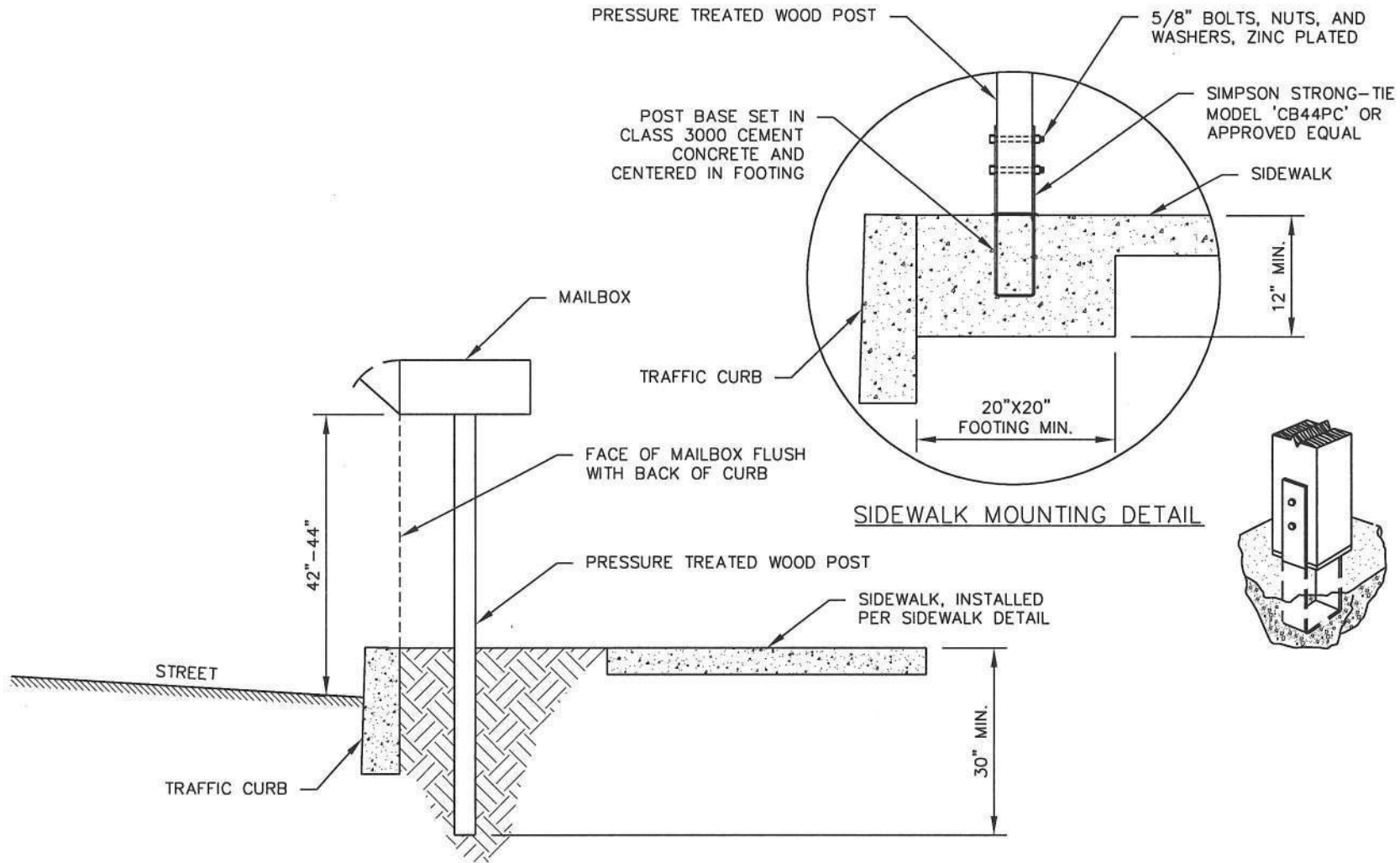
DETAIL NO.

ST36A

REVISION: 1

DATE: 01/20/2023

ST-MISC.DWG



NOTES:

1. IF THERE IS NO PLANTER STRIP, USE POST MOUNTING BASE AND SET IN CONCRETE (SEE INSET DETAIL).
2. POST MOUNTING BASE SHALL BE SIMPSON STRONG-TIE 'CB44PC' WITH POWDER COAT FINISH, OR APPROVED EQUAL.

REV. NO.	DATE	BY	APPR.
1	5/1/07	SCD	JC
2	1/1/11	SCD	JC



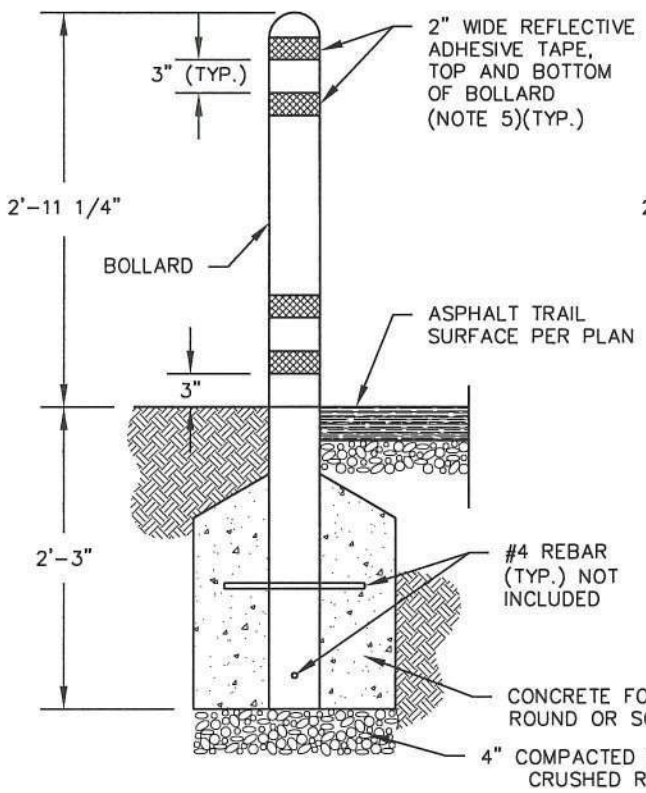
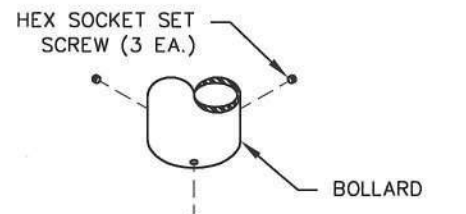
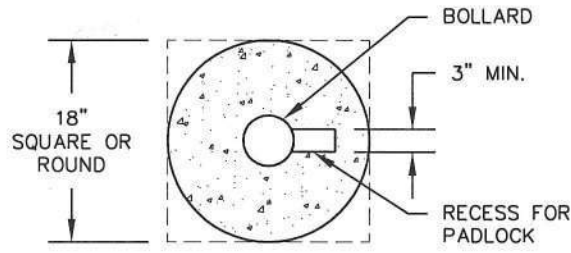
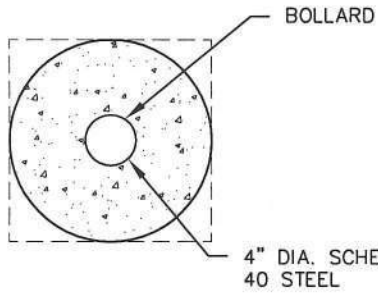
**CITY OF CAMAS ~ STREET DETAIL
MAILBOX INSTALLATION GUIDELINES**

Jim E. Caruthers 1-4-11
DETAIL APPROVED BY DATE

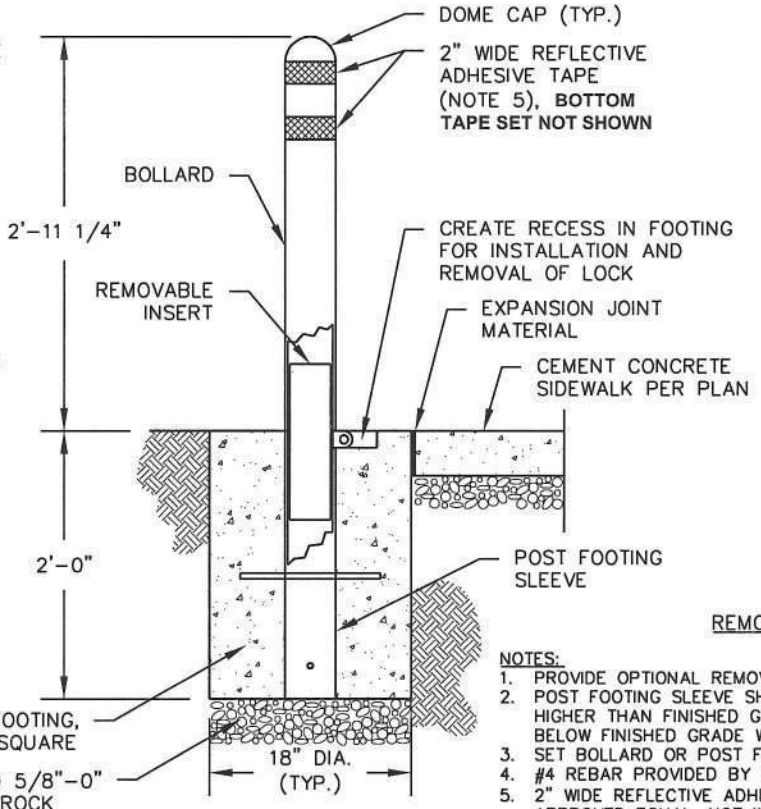
DETAIL NO.

ST37

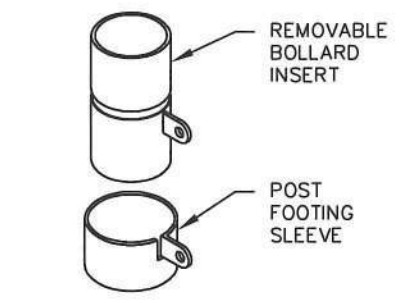
NOT TO SCALE



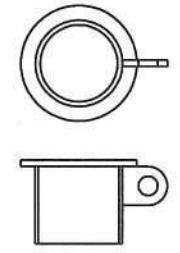
BOLLARD - EMBEDMENT MOUNT
TYPE 2



BOLLARD - REMOVABLE
TYPE 1

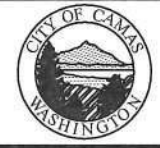


REMOVABLE BOLLARD
INSERT & SLEEVE



- NOTES:**
1. PROVIDE OPTIONAL REMOVABLE BOLLARD HOLE COVER WHEN SPECIFIED.
 2. POST FOOTING SLEEVE SHALL BE SET IN FOOTING SO THE TOP IS NOT HIGHER THAN FINISHED GRADE, AND PADLOCK TAB SHALL BE RECESSED BELOW FINISHED GRADE WITH SPACE FOR PADLOCK LOOP.
 3. SET BOLLARD OR POST FOOTING SLEEVE PLUMB IN CONCRETE FOOTING.
 4. #4 REBAR PROVIDED BY CONTRACTOR.
 5. 2" WIDE REFLECTIVE ADHESIVE TAPE, 3M DIAMOND GRADE RED, OR APPROVED EQUAL, NOT INCLUDED WITH BOLLARD.
 6. BOLLARD MFD. BY COLUMBIA CASCADE, M/N 2190-E (EMBEDMENT), 2190-R (REMOVABLE), 2190-RC (REMOVABLE WITH CAP), POWDER COAT COLOR "CHROME YELLOW", OR APPROVED EQUAL.
 7. BOLLARDS SHALL BE LOCATED AS SHOWN IN THE PLANS. WHEN MULTIPLE BOLLARDS ARE REQUIRED, SPACING SHALL BE NO LESS THAN 6.5 FEET.

REV. NO.	DATE	BY	APPR.
1	1/1/11	SCD	JC



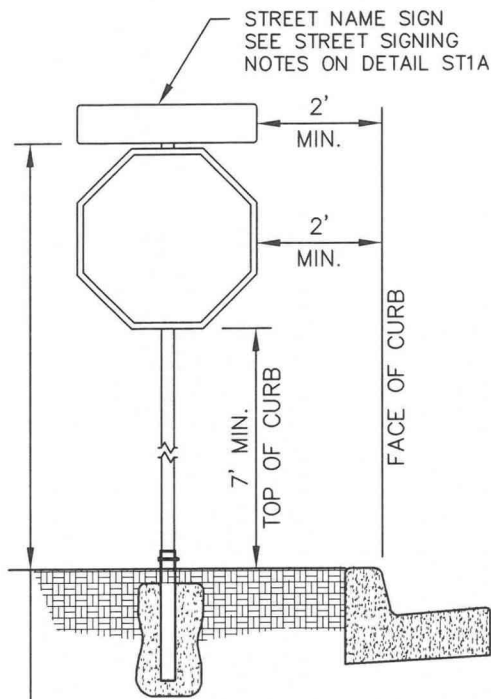
CITY OF CAMAS ~ STREET DETAIL
BOLLARD - TYPE 1 AND TYPE 2

Jan E. Coathran 1-4-11
DETAIL APPROVED BY DATE

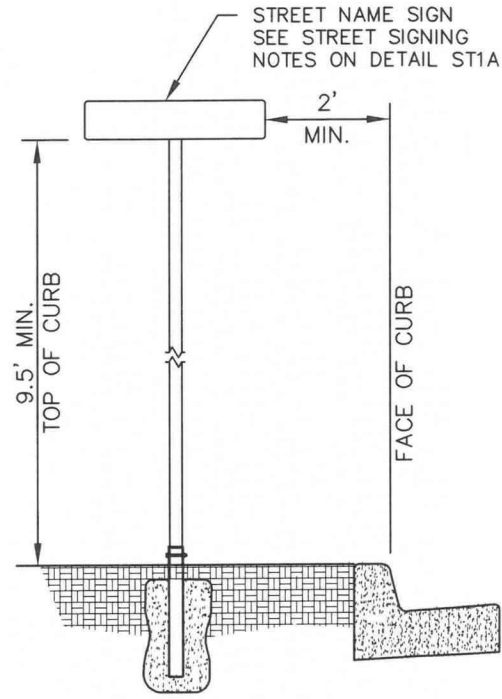
DETAIL NO.
ST38

NOT TO SCALE

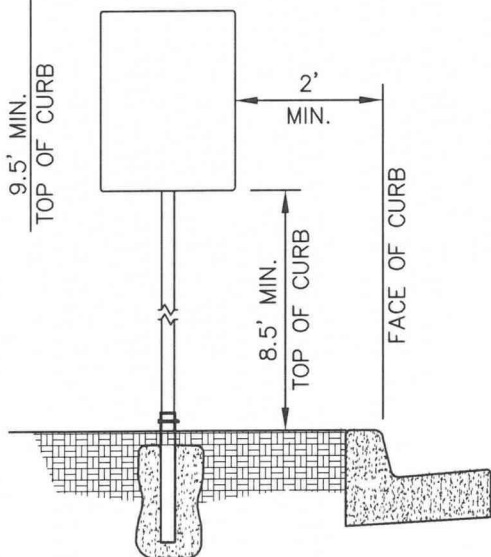
ST-BOLLARD.DWG



STOP & STREET NAME SIGNS

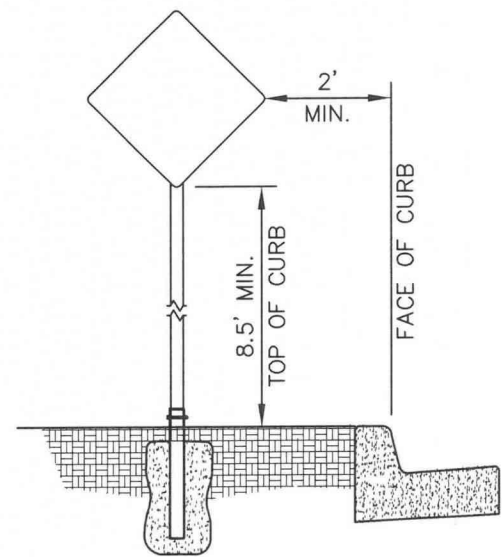


STREET NAME SIGNS



STREET SIGNS

- NO PARKING, SPEED LIMIT, ETC



STREET SIGNS

- NO OUTLET, DEAD END, ETC

NOTES:

1. POSTS SHALL BE TELESPAR POST 2-INCHES SQUARE AND 12 GAUGE GALVANIZED STEEL. ANCHORS SHALL BE 2-1/4 INCH SQUARE 12 GAUGE GALVANIZED STEEL, 30-INCHES LONG, SET IN CONCRETE.
2. ALL SIGNS TO BE HI-INTENSITY PRISMATIC. SIGNS AND POSTS SHALL INCLUDE 3/8-INCH DIAMETER RIVETS AND SHALL BE INSTALLED BY THE CONTRACTOR.
3. STREET SIGNS SHALL BE INSTALLED A MINIMUM OF THREE FEET (3-FT) AWAY FROM ANY FIRE HYDRANT OR ANY OTHER FIRE SERVICE APPURTENANCES.
4. TO THE EXTENT POSSIBLE, STREET NAME SIGNS ARE TO BE LOCATED SUCH THAT THEY WILL NOT BE BLOCKED BY STREET TREES.
5. WITH PRIOR APPROVAL FROM THE CITY, STREET NAME SIGNS MAY BE MOUNTED TO LIGHT POLES.



STREET DETAIL
STREET SIGN MOUNTING HEIGHTS & LOCATIONS

NOT TO SCALE

DETAIL NO.

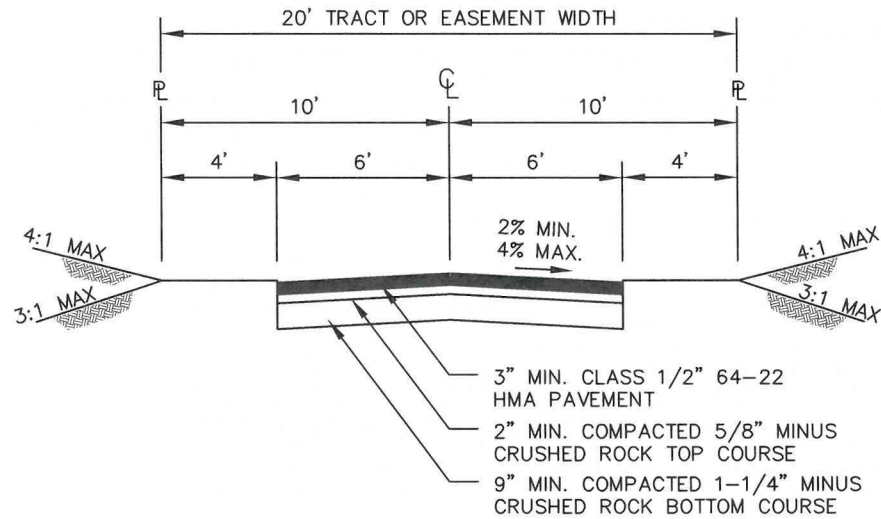
Joe P. Coe 3-24-22
DETAIL APPROVED BY DATE

REVISION: 1

DATE: 03/22/2022

ST39

ST-SIGNAGE.DWG



PRIVATE STREET - A
(CROWN OR INVERT SECTION)

NOTES:

1. STREET SECTION DEPTHS SHOWN ARE ABSOLUTE MINIMUMS.
2. CROSS-SLOPE APPLIES TO CROWN OR SHED STREETS.
3. ACCESS TO FOUR OR LESS DWELLING UNITS.
4. TRACT WIDTH AND PAVEMENT WIDTH MAY BE INCREASED FOR FIRE AND/OR GARBAGE/RECYCLING ACCOMMODATIONS WHEN THIS IS THE SOLE ACCESS TO ONE OR MORE LOTS.



STREET DETAIL
PRIVATE STREET - A

Jan P. Coe 1/20/23
DETAIL APPROVED BY DATE

NOT TO SCALE

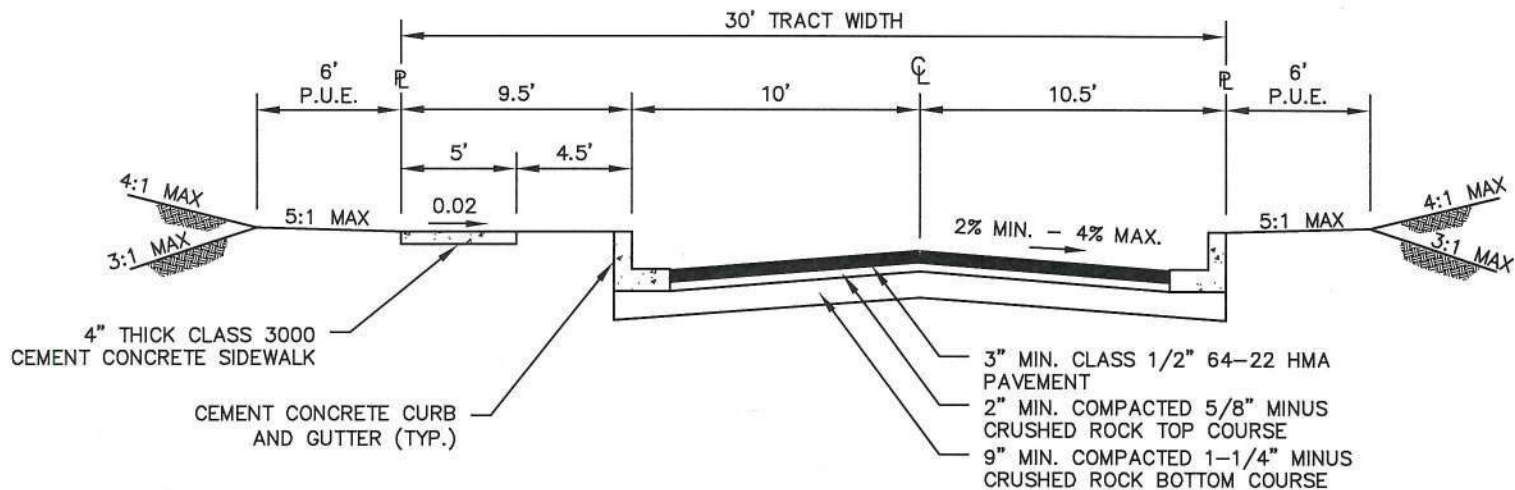
DETAIL NO.

PVT1

REVISION: 4

DATE: 1/20/2023

ST-PRIVATE.DWG



PRIVATE STREET - B
(CROWN OR SHED SECTION)

- NOTES:**
1. STREET SECTION DEPTHS SHOWN ARE ABSOLUTE MINIMUMS.
 2. CROSS-SLOPE APPLIES TO CROWN OR SHED STREETS.
 3. ACCESS TO FIVE OR MORE DWELLING UNITS, LESS THAN OR EQUAL TO 100' IN LENGTH.

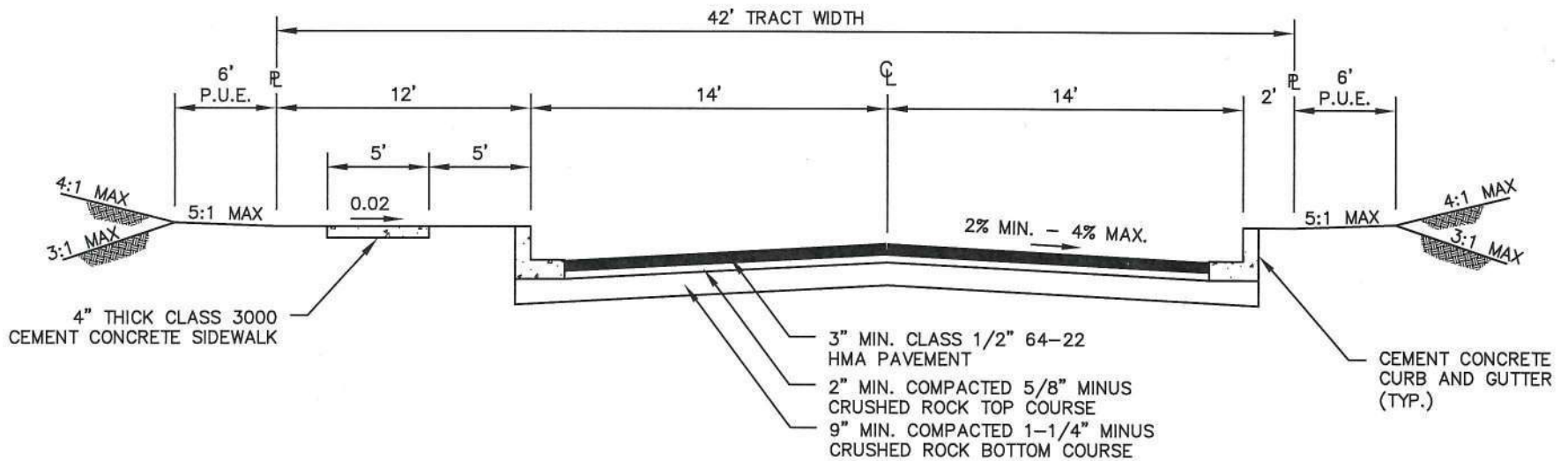


STREET DETAIL
PRIVATE STREET - B
John P. [Signature] 6-17-19
 DETAIL APPROVED BY DATE

NOT TO SCALE
 REVISION: 3 DATE: 5/30/2019

DETAIL NO.
 PVT2

ST-PRIVATE.DWG



PRIVATE STREET - C
(CROWN OR SHED SECTION)

NOTES:

1. STREET SECTION DEPTHS SHOWN ARE ABSOLUTE MINIMUMS.
2. CROSS-SLOPE APPLIES TO CROWN OR SHED STREETS.
3. ACCESS TO FIVE OR MORE DWELLING UNITS, GREATER THAN 100', AND NOT OVER 300' IN LENGTH.



STREET DETAIL
PRIVATE STREET - C

DETAIL APPROVED BY *Don P. [Signature]* DATE 6-17-19

NOT TO SCALE

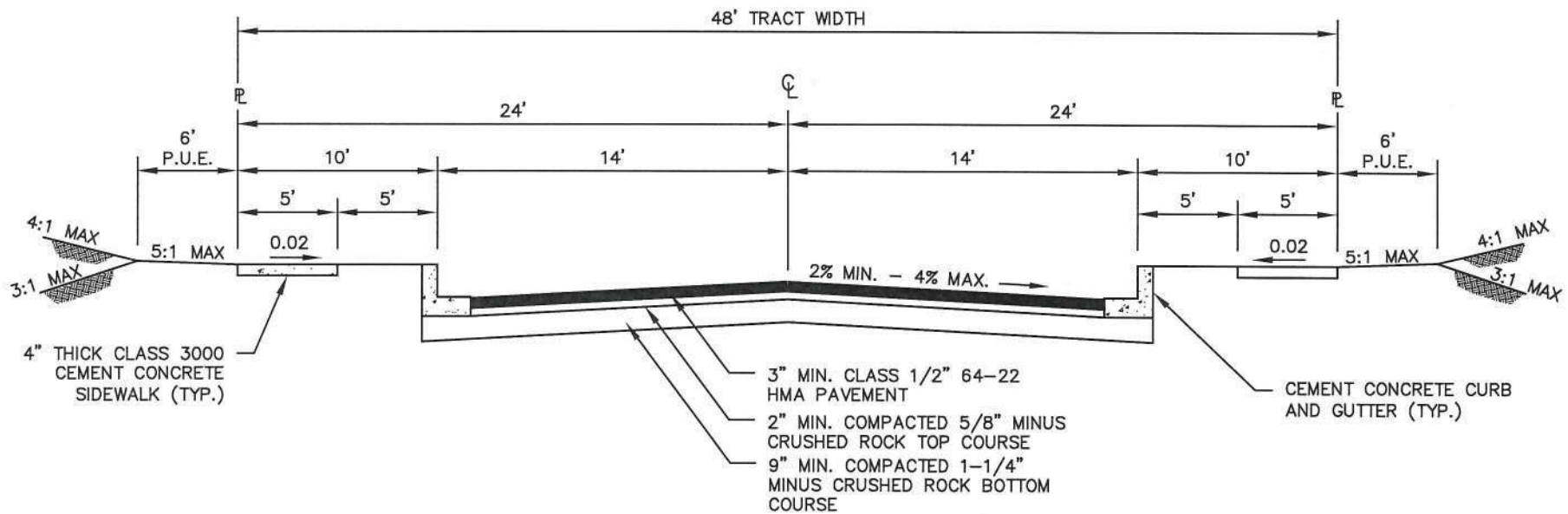
DETAIL NO.

PVT3

REVISION: 3

DATE: 5/30/2019

ST-PRIVATE.DWG



PRIVATE STREET - D
(CROWN OR SHED SECTION)

NOTES:

1. STREET SECTION DEPTHS SHOWN ARE ABSOLUTE MINIMUMS.
2. CROSS-SLOPE APPLIES TO CROWN OR SHED STREETS.
3. ACCESS TO FIVE OR MORE DWELLING UNITS, GREATER THAN 300' IN LENGTH.



STREET DETAIL
PRIVATE STREET - D

DETAIL APPROVED BY *[Signature]* DATE 6-17-19

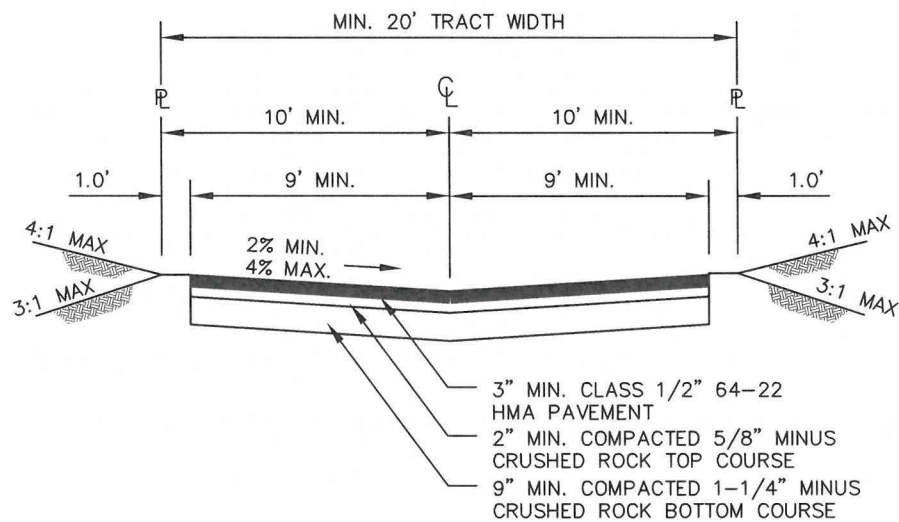
NOT TO SCALE

DETAIL NO.

PVT4

REVISION: 3 DATE: 5/30/2019

ST-PRIVATE.DWG



ALLEY – PRIVATE
 (INVERT SECTION)

NOTES:

1. STREET SECTION DEPTHS SHOWN ARE ABSOLUTE MINIMUMS.
2. CROSS-SLOPE APPLIES TO CROWN OR SHED STREETS.
3. TRACT WIDTH AND PAVEMENT WIDTH MAY BE INCREASED FOR FIRE AND/OR GARBAGE/RECYCLING ACCOMMODATIONS WHEN AN ALLEY IS THE SOLE ACCESS TO ONE OR MORE LOTS.



STREET DETAIL
 ALLEY – PRIVATE

DETAIL APPROVED BY *Jim P. Coe* DATE 1/20/23

NOT TO SCALE

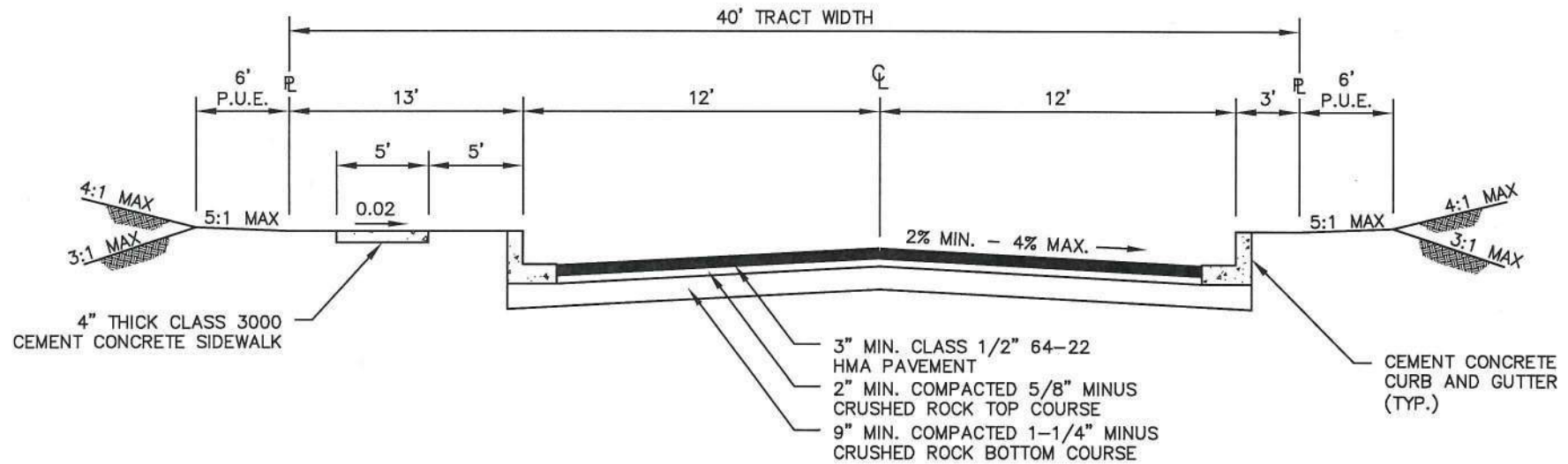
DETAIL NO.

PVT5

REVISION: 4

DATE: 1/20/2023

ST-PRIVATE.DWG



COMMERCIAL / INDUSTRIAL

NOTES:

1. STREET SECTION DEPTHS SHOWN ARE ABSOLUTE MINIMUMS.
2. CROSS-SLOPE APPLIES TO CROWN OR SHED STREETS.



STREET DETAIL
COMMERCIAL / INDUSTRIAL

Don P. Caruth 6-17-19
DETAIL APPROVED BY DATE

NOT TO SCALE

DETAIL NO.

PVT6

REVISION: 3

DATE: 5/30/2019

ST-PRIVATE.DWG